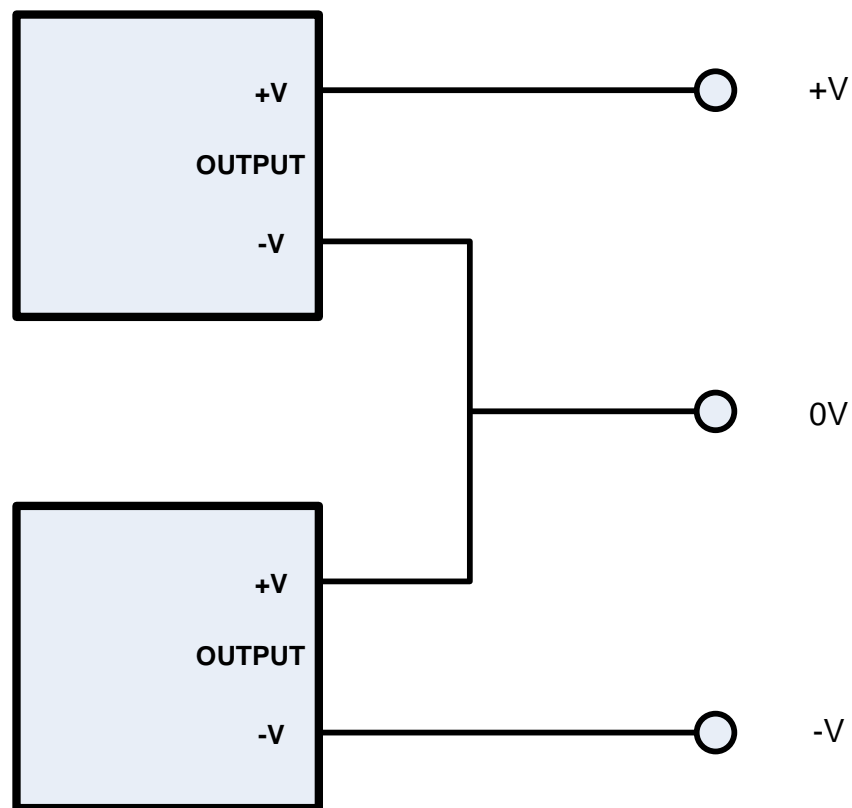


Single output units connected in series for positive and negative outputs



NOTE: Individual modules must have:

- 1) Input isolated from output
- 2) Output isolated from earth