

1

2

3

4

5

6

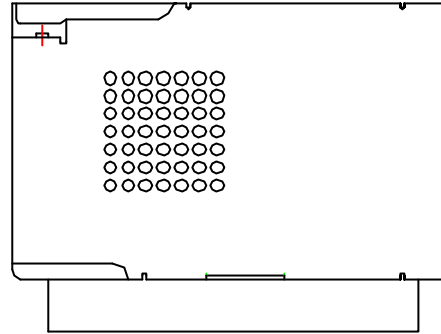
7

A

B

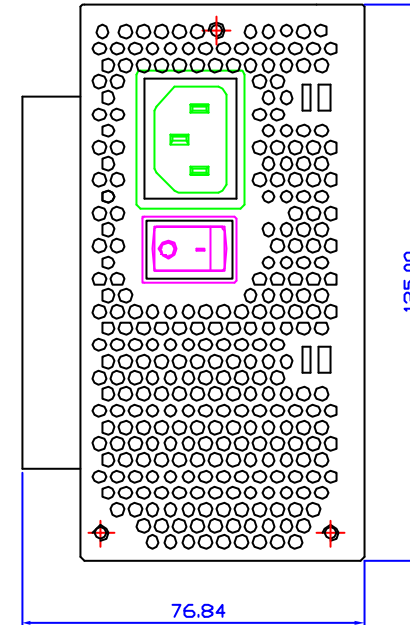
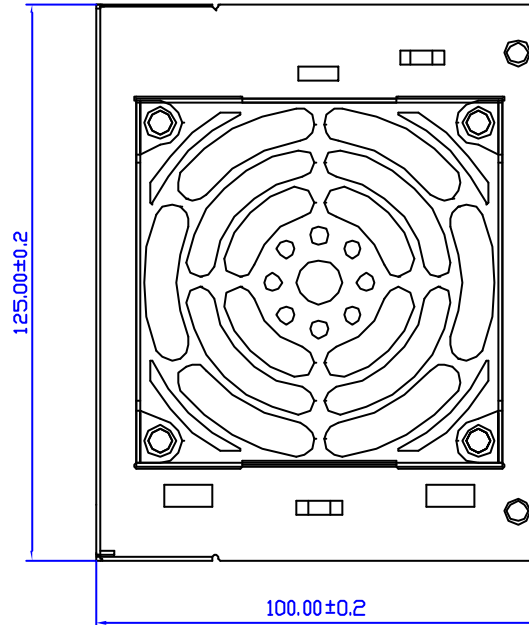
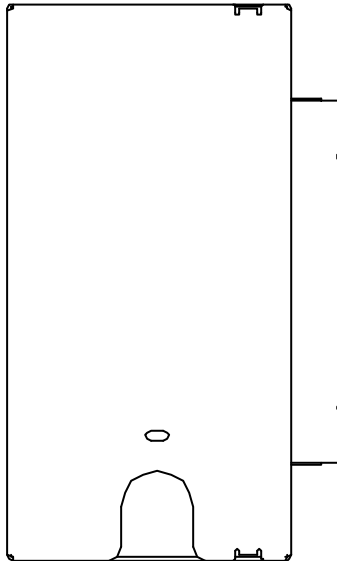
C

D



SUNPOWER
UK LTD

Sunpower (UK) Ltd
Orion House, Calleva Park,
Aldermaston, Berkshire,
RG7 8SN
Tel: +44 (0)118 981 1001
Fax: +44 (0)118 981 2002
E-mail: sales@sunpower-uk.com



DESIGN CHANGE

ITEM	REASON OF CHANGE	DESCRIPTION
①		8.0-->6.3

RANGE	COMMON TOLERANCE TABLE			
	<A>		<C>	<D>
< B	±0.05	±0.1	±0.2	±0.4
8~25	±0.08	±0.15	±0.3	±0.5
25~80	±0.12	±0.25	±0.5	±1.0
80~250	±0.25	±0.4	±0.8	±1.5
250~800	±0.5	±0.8	±1.5	±3.0
800~2500	±1.0	±1.5	±3.0	±6.0
ANGULAR	±0.15°	±0.3°	±0.5°	±0.8°

SUNPOWER
UK LTD

Sunpower (UK) Ltd

FILE NO	REV. NO	DRAW BY	DATE
		sam	08/13/2004
PART NO	SCALE	APPROVE BY	DATE
	1:1		08/13/2004
PART NAME	UNITS	MATERIAL	PROJECTION
	M/M		First Angle
MODEL NO	300SFD	MATERIAL	PROJECTION
			First Angle
PATH			