


SPS-G050 Series

50W, Single Output

Green mode function



99 x 82 x 35 mm
3.90 x 3.23 x 1.38 inch

CBCCE
(pending)

Features:

- * Green-mode designing, NO load <0.5W
- * High efficiency and high reliability
- * Built in EMI filter, low ripple noise
- * Over load, over voltage, short circuit protection
- * Output voltage $\pm 10\%$ adjustment
- * 100% full load burn-in test
- * $-20^{\circ}\text{C} \sim 70^{\circ}\text{C}$ Operating temperature
- * UL, cUL, TUV, CB, CE standard

Specification:

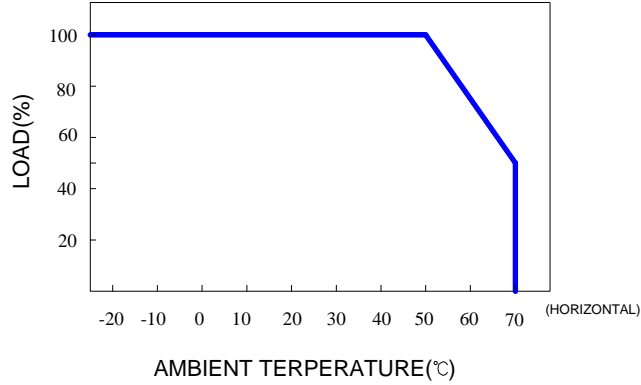
INPUT	Voltage	88V ~ 264VAC or 125V ~ 375VDC Universal full range								
	Frequency	47 ----- 63 Hz								
	Current	<1.3A@100V AC input, full load condition								
	Inrush Current	<30A@115V , <50A@230V AC input, Cold start at 25°C ambient								
	Leakage Current	<1.5mA@264V AC input								
OUTPUT	MODEL No.	SPS-G050-3.3	SPS-G050-05	SPS-G050-7.5	SPS-G050-12	SPS-G050-15	SPS-G050-24	SPS-G050-30	SPS-G050-48	
	Voltage	3.3V	5V	7.5V	12V	15V	24V	30V	48V	
	Min. Load	0A	0A	0A	0A	0A	0A	0A	0A	
	Max. Load	10A	9A	6.5A	4.2A	3.4A	2.2A	1.7A	1.1A	
	Regulation	$\pm 3\%$	$\pm 2\%$	$\pm 1\%$	$\pm 1\%$	$\pm 1\%$	$\pm 1\%$	$\pm 1\%$	$\pm 1\%$	
	Ripple Noise (MAX.)	50mV	70mV	70mV	120mV	150mV	150mV	200mV	200mV	
	Efficiency (TYP.)	72%	78%	79%	81%	83%	84%	84%	86%	
Output (MAX)	33W	45W	48.8W	50.4W	51W	52.8W	51W	52.8W		
PROTECTION	Over Voltage	3.8~4.6V	5.8~7.0V	8.6~10.5V	13.8~16.8V	17.3~21.0V	27.6~33.6V	34.5~42.0V	55.2~67.2V	
		Shutdown, it need re-power on to recover								
	Over Load	Over 105%~ 150% of rating, recovers automatically after fault condition has been removed.								
	Short Circuit	Shutdown, recovers automatically after fault condition has been removed.								
ELEC. CHAR.	Rise time	<30mS								
	Hold up time	>60mS@230V, full load condition								
	Setup time	<1.2S@115V , <0.6S@230V								
	Green mode function	Power consumption at No load < 0.5W at 240VAC input								
ENVIRONMENT	Temperature	Operating: $-20 \sim +70^{\circ}\text{C}$; De-rating: $45 \sim 70^{\circ}\text{C}$: 2.5%/°C ; Storage: $-40 \sim +85^{\circ}\text{C}$								
	Humidity	Operating: 20% ~ 85%; Storage: 10% ~ 95% (non condensing)								
SAFETY & EMC	Safety standard	UL 60950-1, CSA C22.2 No.60950-1, TUV EN 60950-1, IEC 60950-1, EMKO-TSE (74-SEC) 207/94 standard								
	Withstand voltage	I/P-O/P:3KVAC, I/P-PE:1.5KVAC, O/P-PE:0.5KVAC, 1minute								
	EMI	EN 55022 CLASS B, FCC CFR 47 PART 15 CLASS B, CNS 13438 CLASS B.								
	Harmonic current	EN61000-3-2,3 CLASS A								
	EMS	EN 55024 : EN 61000-4-2,3,4,5,6,8,11								
OTHERS	Cooling	Natural Cooling.								
	M.T.B.F.	335K hours								
	Terminal pitch	5P / 9.5mm with plastic cover, 90 deg terminal optional (with MOQ)								
	Packing	N.W.:0.34Kg / 1pc; 46pcs / 1.22Cu ft ³ / 1 CTN								

NOTE: ① All parameters not specially mentioned are measured at 230VAC input, max. output and 25°C ambient temperature.

② Ripple & noise are measured at 20MHz of bandwidth with parallel a 0.1uF & 47uF capacitor. Measure condition at 95~252VAC input / 0~50°C

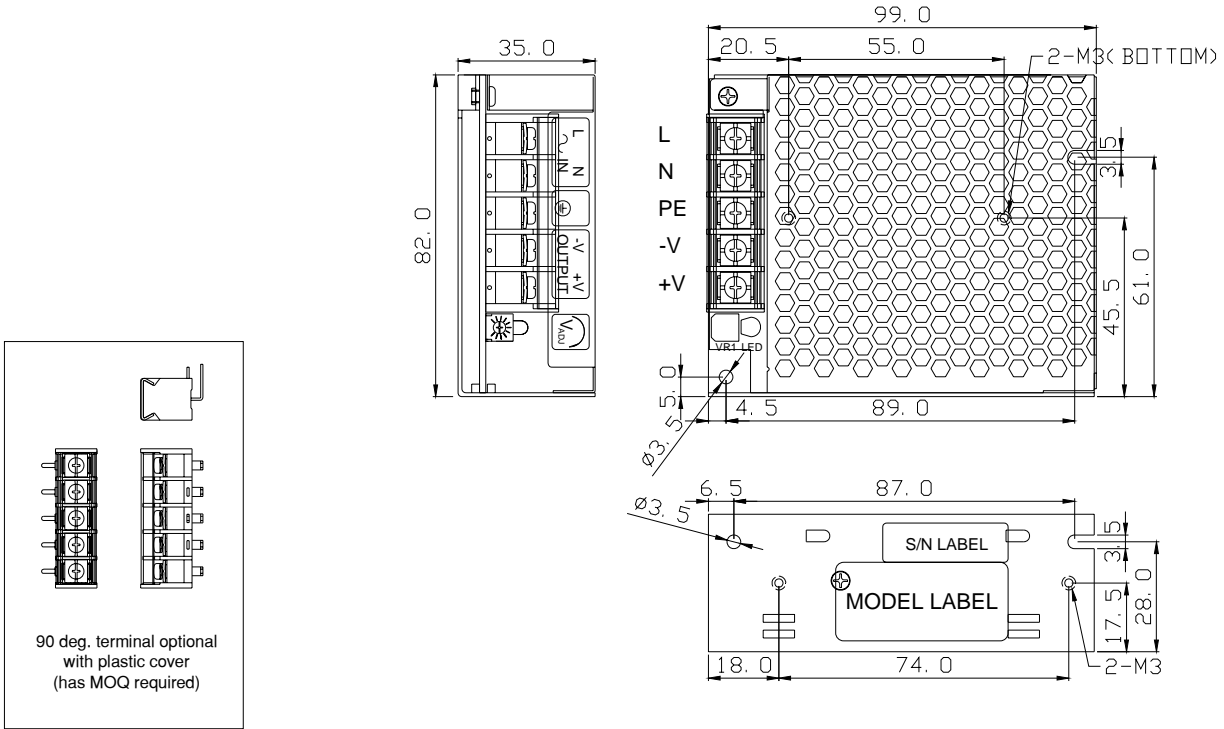
SPS-G050 Series

Derating Curve :



Dimension:

(Unit: mm)



NOTES:

TERMINAL BLOCK: 5P, PITCH 9.5mm WITH PLASTIC COVER.