


# SPS-G015 Series

**15W, Single Output**  
**Green mode function**



62 x 50.8 x 28 mm  
 2.44 x 2.0 x 1.10 inch



## Features:

- \* Green mode designing, no load < 0.3W
- \* All using 105°C long life electrolytic capacitors
- \* Over load, over voltage, short circuit protection
- \* Small size, high efficiency
- \* Output voltage  $\pm 10\%$  adjustment
- \* 100% full load burn-in test
- \* -20°C~70°C Operating temperature
- \* UL, cUL, TUV, CB, CE approved

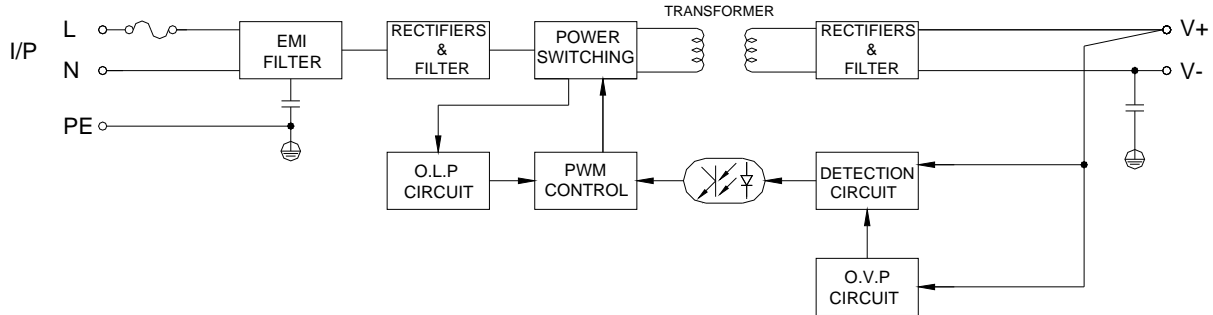
## Specification:

INPUT	Voltage	85V ~ 264VAC or 120V ~ 375VDC Universal full range					
	Frequency	47 ----- 63 Hz					
	Current	<0.5A@100V AC input, full load condition					
	Inrush Current	<30A@115V , <50A@230V AC input, Cold start at 25°C ambient					
	Leakage Current	<0.5mA@264V AC input					
OUTPUT	MODEL No.	SPS-G015-3.3	SPS-G015-05	SPS-G015-12	SPS-G015-15	SPS-G015-24	SPS-G015-48
	Voltage	3.3V	5V	12V	15V	24V	48V
	Min. Load	0A	0A	0A	0A	0A	0A
	Max. Load	3A	3A	1.3A	1.0A	0.63A	0.32A
	Output Tolerance ②	$\pm 3\%$	$\pm 2\%$	$\pm 1\%$	$\pm 1\%$	$\pm 1\%$	$\pm 1\%$
	Ripple Noise (MAX.) ③	80mV	80mV	120mV	120mV	200mV	200mV
	Efficiency (TYP.)	72%	77%	81%	81%	82%	82%
PROTECTION	Output MAX.	10W	15W	15.6W	15W	15.1W	15.4W
	Over Voltage	3.8~4.6V	5.8~7.0V	13.8~16.8V	17.3~21.0V	27.6~33.6V	55.2~67.2V
ELEC. CHAR.	Over Load & Short Circuit	Over voltage latch					
	Rise time	When power supply over 105% rate load or short circuit acted, power supply will go into hiccup mode and recover automatically after the fault is removed.					
	Hold up time	<50mS					
ENVIRONMENT	Setup time	>60mS@230V, full load condition					
	Green mode function	<1 Sec@100 ~ 240V AC					
SAFETY & EMC	Temperature ④	Power consumption at no load < 0.3W at 240VAC input					
	Humidity	Operating: -20 ~ +70°C ; De-rating: 50 ~ 70°C: 2.5%/°C ; Storage: -40 ~ +85°C					
OTHERS	Safety standard	Operating: 20% ~ 85%; Storage: 10% ~ 95% (non condensing)					
	EMI	UL 60950-1, CSA C22.2 No.60950-1, TUV EN 60950-1, IEC 60950-1, EMKO-TSE (74-SEC) 207/94 approved.					
	EMS	EN 55022 CLASS B , FCC CFR 47 PART 15 CLASS B, CNS 13438 CALSS B. Compliance to EN61000-3-2 CLASS A, EN61000-3-3					
NOTE	Withstand voltage	EN 55024 : EN 61000-4-2,3,4,5,6,8,11					
	Cooling	I/P-O/P:3KVAC, I/P-PE:1.5KVAC, O/P-PE:0.5KVAC, 1minute					
	M.T.B.F.	Natural cooling.					
	Terminal pitch	634K hours					
NOTE	Packing	5P / 7.62mm with plastic cover					
		N.W.: 0.13Kg / 1pc; 100pcs/ 0.85 Cu ft <sup>3</sup> / 1 CTN					

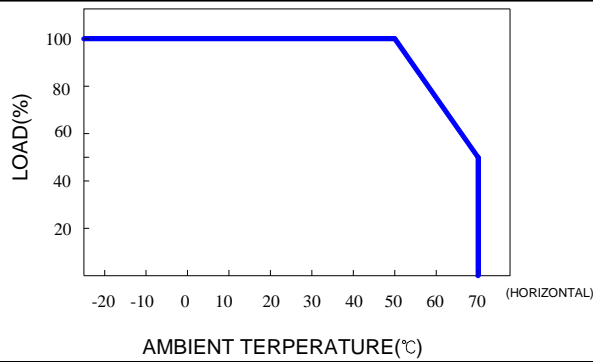
- ① All measurements which not mentioned are based on 230VAC input, **output Max** at ambient 25°C / 70%RH  
 ② Output tolerance included set up voltage, line regulation and load regulation.  
 ③ Ripple & noise are measured at 20MHz of bandwidth by terminated with a 0.1uF & a 47uF parallel capacitor when 100~240VAC input at 25°C  
 ④ The operating temperature shall follow the de-rating curve in spec  
 ⑤ The power supply is considered a component of end-equipment. The end-equipment must be re-confirmed whether comply with EMC directives.  
 ⑥ A sound may occur from power supply at pulse loading.

# SPS-G015 Series

## Block Diagram :

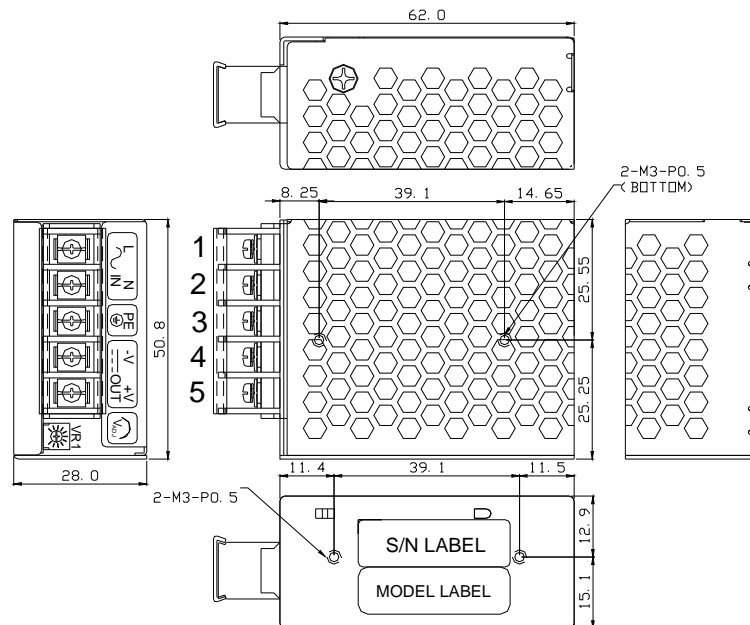


## De-rating Curve :



## Dimension:

(Unit: mm)



Terminal Pin. No Assignment: 5P/7.62mm w/plastic cover

Pin No.	Assignment	Pin No.	Assignment
1	AC/L	4	DC OUTPUT -V
2	AC/N	5	DC OUTPUT +V
3	PE		