

# DRP-480S Series

480W Single Output Industrial DIN Rail Power Supply



## Features

- AC input range selectable by switch
- Built-in passive PFC function compliance to EN61000-3-2
- High efficiency 89% and low dissipation
- Protections: Short circuit/Overload/Over voltage/Over temp
- Cooling by free air convection
- Built-in constant current limiting circuit
- Can be installed on Din rail TS-35/7.5 or 15
- UL508 (industrial control equipment) approved
- EN61000-6-2 (EN50082-2) industrial immunity level
- 100% full load burn-in test



## Specification

INPUT	<b>Voltage</b>	90V ~ 132VAC; 180~264VAC universal full range or 254V ~ 370VDC.	
	<b>Frequency</b>	47 ----- 63 Hz	
	<b>Current</b>	<8A@115VAC; 3.2A@230VAC input, full load	
	<b>Inrush Current</b>	27A@115VAC; 45A@230VAC Cold start at 50A	
	<b>Leakage Current</b>	3.5mA@240VAC	
OUTPUT	<b>MODEL No.</b>	<b>DRP-480S-24</b>	<b>DRP-480S-48</b>
	<b>Voltage</b>	24V	48V
	<b>Min Load</b>	0A	0A
	<b>Max Load</b>	20A	10A
	<b>Output Tolerance</b>	± 1%	± 1%
	<b>Line Regulation</b>	± 0.5%	± 0.5%
	<b>Load Regulation</b>	± 1%	± 1%
	<b>Ripple Noise MAX.</b>	120mV	120mV
	<b>Efficiency (TYP.)</b>	89%	
	<b>Power</b>	480W	480W
PROTECTION	<b>Over Voltage</b>	24~28V	48~55V
	<b>Over Temperature</b>	Shutdown o/p voltage, re-power on to recover 100°C ±5°C(TSW) detect on heatsink of power switch Shut down o/p voltage, recovers automatically after temperature goes down	
	<b>Over Load</b>	105~150% rated output power; Constant current limiting, recovers automatically after fault condition is removed	
ELEC. CHAR.	<b>Rise Time</b>	<40mS@ 115~230VAC at full load	
	<b>Hold up Time</b>	>23mS@ 115~230VAC at full load	
	<b>Setup Time</b>	<1.2 Sec @ 115~230VAC	
ENVIRONMENT	<b>Temperature</b>	Operating: -20 ~ +70°C ; Storage: -40~ +85°C	
	<b>Humidity</b>	Operating: 20% ~ 90% RH; Storage: 10% ~ 95% RH (non condensing)	
SAFETY	<b>Withstand Voltage</b>	I/P-O/P:3KVAC, I/P-FG:1.5KVAC, O/P-FG:0.5KVAC, 1minute	
	<b>Isolation Resistance</b>	I/P-O/P, I/P-FG, O/P-FG 100MΩ/500VDC	
	<b>Safety Standard</b>	UL508; UL60950-1; TUV; EN60950-1 Approved	
EMC	<b>EMI</b>	EN55011; EN55022; EN61000-3-2,3; EN61204-3	
	<b>EMS</b>	EN61000-4-2,3,4,5,6,8,11; EN61204-3, EN61000-6-2 (EN50082-2)	
OTHERS	<b>Cooling</b>	Natural cooling	
	<b>M.T.B.F.</b>	187.9K hrs min. MIL-HDBK-217F (25°C)	
	<b>Packing</b>	2.6Kg; 6pcs/16.6Kg/1.75 CUFT	

1 All parameters not specially mentioned are measured at 230VAC input, rated load and 25°C of ambient temperature

2 Ripple & noise are measured at 20MHz of bandwidth by using a 12" twisted pair-wire terminates with a 0.1uf & 47uf parallel capacitor

3 Tolerance: Includes set up tolerance, line regulation and load regulation

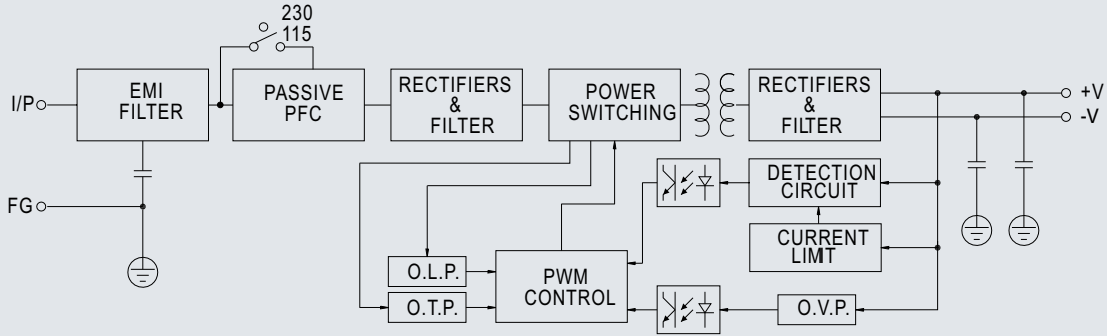
4 The power supply is considered a component of end-equipment. The end-equipment must be re-confirmed whether comply with EMC directives.

# DRP-480S Series

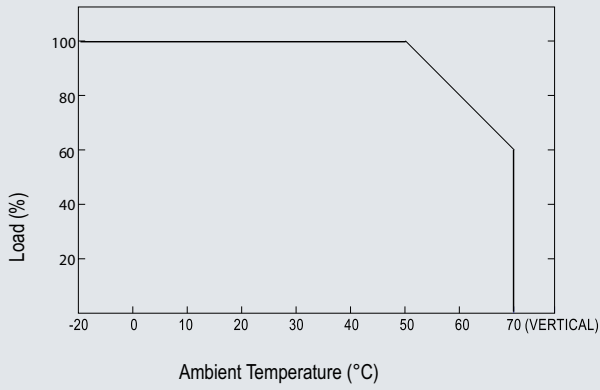
480W Single Output Industrial DIN Rail Power Supply



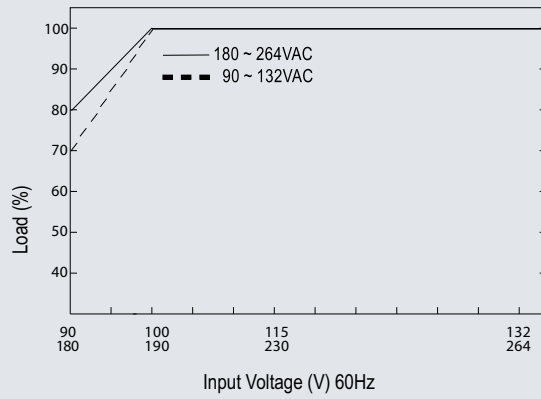
## Block Diagram



## De-Rating Curve



## Output Derating Vs. Input Voltage



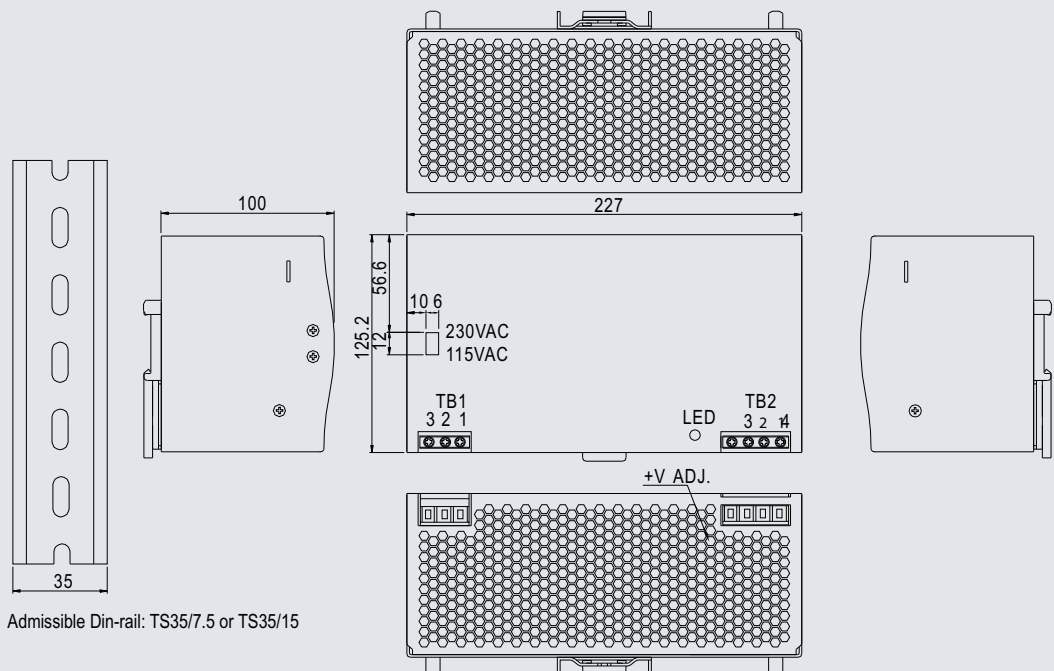
## Dimensions

Terminal Pin. No Assignment:  
(TB1)

Pin No.	Assignment
1	AC/L (DC+)
2	AC/N (DC-)
3	FG

Terminal Pin. No Assignment:  
(TB2)

Pin No.	Assignment
1,2	DC OUTPUT +V
3,4	DC OUTPUT -V



Admissible Din-rail: TS35/7.5 or TS35/15