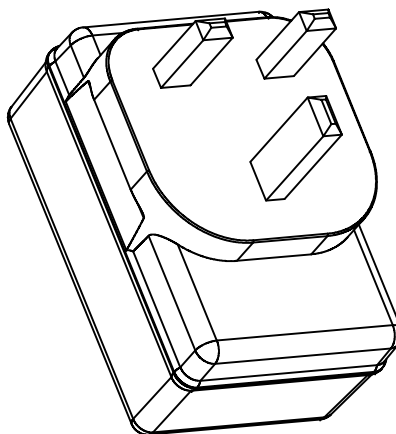
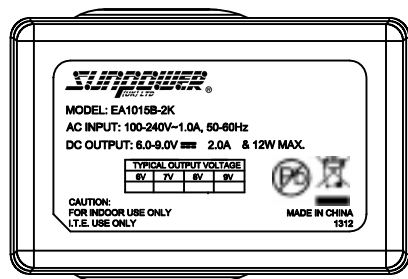
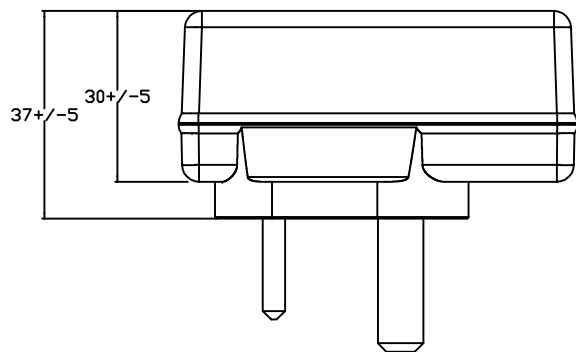
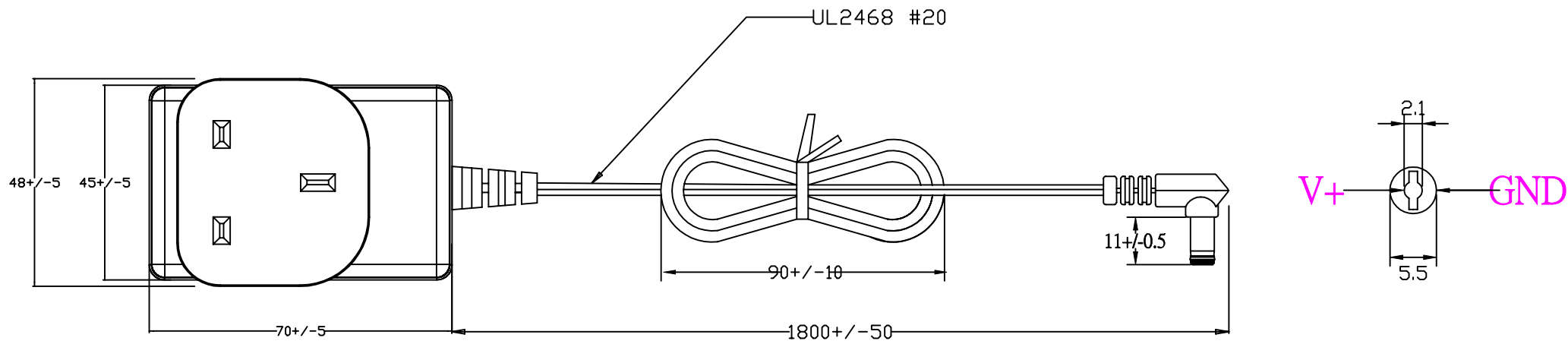



**Features:**

- ✓ CEC Efficiency Regulations Compliance
- ✓ RoHS Compliance
- ✓ Over-Voltage Protective Installation
- ✓ Short-circuit Protective Installation
- ✓ Protection Type: Auto-Recovery
- ✓ Application: MP3,i-pod,POS...

**SPECIFICATION**

Model	EA1015A-2K	EA1015B-2K	EA1015C-2K	EA1015D-2K
Output Voltage	3V~5V	6V~9V	10V~15V	16V~24V
Output Rating (Max.)	10W	12W	15W	15W
Output Current (Max.)	2.5A	2.0A	1.5A	0.9A
Input Voltage (Limit)	AC 90~264V			
Input Frequency	47~63Hz			
Line Regulation	1% Max.			
Load Regulation	+/- 5%			
Ripple & Noise	1% Max.			
Efficiency	70% Typical	70% Typical	75% Typical	75% Typical
Over Voltage Protection	Yes			
Short circuit Protection	Yes			
Operating Temperature	0~40°C			
Storage Temperature	-20 C~85° C			
Class or Class	Class			
Safety Standards	IEC60950-1			
Safety/EMC	CB, CE			
MTBF	30,000 hours			
LED Indication	none			
Dimension	74.5L x 49W x 39.5mm			
Approx. Weight	140 grams			
Standard Plug	Optional			



Sunpower (UK) Ltd  
Orion House  
Calleva Park  
Aldermaston  
Berkshire, RG7 8SN  
Tel: +44 (0)118 981 1001  
Fax: +44 (0)118 981 2002  
E-mail: sales@sunpower-uk.com

<b>SUNPOWER</b> UK LTD				APPROVED
MODEL	EA1015B-2K(08)	UNIT	mm	DESIGNED
color	BLACK	SCALE		CHECK
cus.		DATE	2007-01-08	DRAWING