

# PD-25 Series

25W Dual Output Switching Power Supply



## ■ Features :

- Universal AC input / Full range
- Low leakage current < 0.5mA
- Protections: Short circuit / Overload / Over voltage / Over temperature
- Cooling by free air convection
- 100% full load burn-in test
- Fixed switching frequency at 100KHz
- Low cost
- High reliability
- 2 years warranty



## ■ GTIN CODE

MW Search: <https://www.meanwell.com/serviceGTIN.aspx>



(for PD-25A only)



## SPECIFICATION

MODEL	PD-25A	PD-25B	PD-2505	PD-2512	PD-2515		
OUTPUT	OUTPUT NUMBER	CH1 CH2	CH1 CH2	CH1 CH2	CH1 CH2		
	DC VOLTAGE	5V 12V	5V 24V	5V -5V	12V -12V		
	RATED CURRENT	2.1A 1.2A	1.2A 0.8A	2.5A 2.5A	1A 1A		
	CURRENT RANGE	0.2 ~ 2.5A 0.1 ~ 1.5A	0.2 ~ 2A 0.1 ~ 1A	0.1 ~ 3A 0.1 ~ 2.5A	0.1 ~ 1.2A 0.1 ~ 1.2A		
	RATED POWER	24.9W	25.2W	25W	24W		
	RIPPLE & NOISE (max.) Note.2	50mVp-p 150mVp-p	50mVp-p 200mVp-p	50mVp-p 50mVp-p	50mVp-p 50mVp-p		
	VOLTAGE TOLERANCE Note.3	±2.0% ±6.0%	±2.0% ±6.0%	±6.0% ±6.0%	±4.0% ±4.0%		
	LINE REGULATION	±0.5% ±2.0%	±0.5% ±2.0%	±1.0% ±1.0%	±0.5% ±0.5%		
	LOAD REGULATION	±1.0% ±4.0%	±1.0% ±4.0%	±4.0% ±4.0%	±3.0% ±3.0%		
	SETUP, RISE TIME	250ms, 50ms/230VAC 250ms, 30ms/115VAC at full load					
HOLD UP TIME (Typ.)	100ms/230VAC 16ms/115VAC at full load						
INPUT	VOLTAGE RANGE	85 ~ 264VAC 120 ~ 370VDC					
	FREQUENCY RANGE	47 ~ 63Hz					
	EFFICIENCY(Typ.)	71%		77%		73%	
	AC CURRENT (Typ.)	0.65A/115VAC		0.4A/230VAC			
	INRUSH CURRENT (Typ.)	COLD START 32A					
LEAKAGE CURRENT	<0.5mA / 240VAC						
PROTECTION	OVERLOAD	Above 105% rated output power Protection type : Hiccup mode, recovers automatically after fault condition is removed					
	OVER VOLTAGE	5.75 ~ 6.75V 13.8 ~ 16.2V 5.75 ~ 6.75V 27.6 ~ 32.4V 5.75 ~ 6.75V -5.75 ~ -6.75V 13.8 ~ 16.2V -13.8 ~ -16.2V 17.3 ~ 20.3V -17.3 ~ -20.3V Protection type : Shut off o/p voltage, clamping by zener diode					
	OVER TEMPERATURE	Shut down o/p voltage, re-power on to recover					
ENVIRONMENT	WORKING TEMP.	-10 ~ +60°C (Refer to "Derating Curve")					
	WORKING HUMIDITY	20 ~ 90% RH non-condensing					
	STORAGE TEMP., HUMIDITY	-20 ~ +85°C, 10 ~ 95% RH					
	TEMP. COEFFICIENT	±0.03%/°C (0 ~ 50°C) ON CH1 output					
SAFETY & EMC (Note 4)	VIBRATION	10 ~ 500Hz, 2G 10min./1cycle, period for 60min. each along X, Y, Z axes					
	SAFETY STANDARDS	UL62368-1, TUV BS EN/EN62368-1, EAC TP TC 004, CCC GB4943.1(for PD-25A only) approved					
	WITHSTAND VOLTAGE	I/P-O/P:3KVAC I/P-FG:2KVAC O/P-FG:0.5KVAC					
	ISOLATION RESISTANCE	I/P-O/P, I/P-FG, O/P-FG:100M Ohms / 500VDC / 25°C / 70% RH					
	EMC EMISSION	Compliance to BS EN/EN55032 (CISPR32) Class B, BS EN/EN61000-3-2,-3, EAC TP TC 020, GB9254 Class B, GB17625.1					
OTHERS	EMC IMMUNITY	Compliance to BS EN/EN61000-4-2,3,4,5, BS EN/EN55035, light industry level, EAC TP TC 020					
	MTBF	5363.3K hrs min. Telcordia SR-332 (Bellcore) ; 707.6K hrs min. MIL-HDBK-217F (25°C)					
	DIMENSION	107*61*28mm (L*W*H)					
	PACKING	0.15Kg; 96pcs/15.9Kg/1.2CUFT					
NOTE	<ol style="list-style-type: none"> <li>1. All parameters NOT specially mentioned are measured at 230VAC input, rated load and 25°C of ambient temperature.</li> <li>2. Ripple &amp; noise are measured at 20MHz of bandwidth by using a 12" twisted pair-wire terminated with a 0.1 μF &amp; 47 μF parallel capacitor.</li> <li>3. Tolerance : includes set up tolerance, line regulation and load regulation.</li> <li>4. The power supply is considered a component which will be installed into a final equipment. All the EMC tests are been executed by mounting the unit on a 360mm*360mm metal plate with 1mm of thickness. The final equipment must be re-confirmed that it still meets EMC directives. For guidance on how to perform these EMC tests, please refer to "EMI testing of component power supplies." (as available on <a href="https://www.meanwell.com/Upload/PDF/EMI_statement_en.pdf">https://www.meanwell.com/Upload/PDF/EMI_statement_en.pdf</a>)</li> <li>5. Heat Sink HS1,HS2,HS3 can not be shorted.</li> <li>6. The ambient temperature derating of 3.5°C/1000m with fanless models and of 5°C/1000m with fan models for operating altitude higher than 2000m(6500ft).</li> </ol> <p>※ Product Liability Disclaimer : For detailed information, please refer to <a href="https://www.meanwell.com/serviceDisclaimer.aspx">https://www.meanwell.com/serviceDisclaimer.aspx</a></p>						

File Name:PD-25-SPEC 2024-10-30

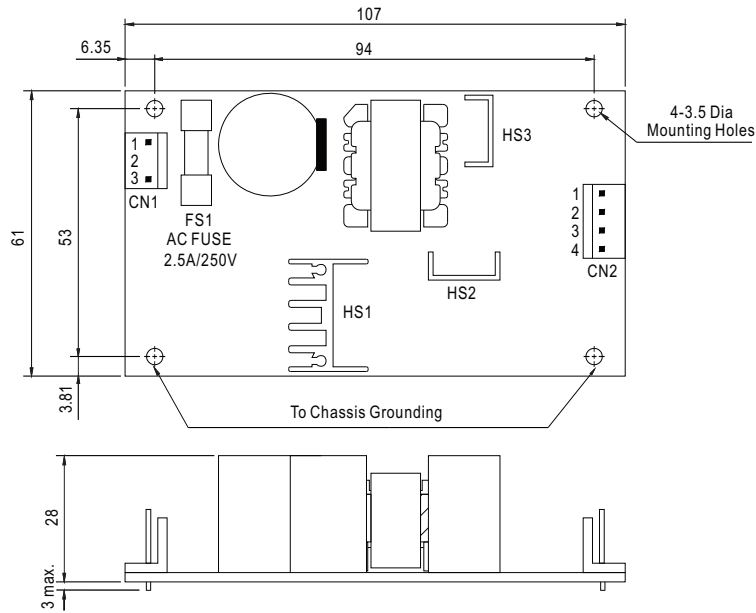
# PD-25 Series

25W Dual Output Switching Power Supply



## Mechanical Specification

(Unit: mm , tolerance  $\pm 1$  mm)



AC Input Connector (CN1) : Molex 41791-03 or equivalent

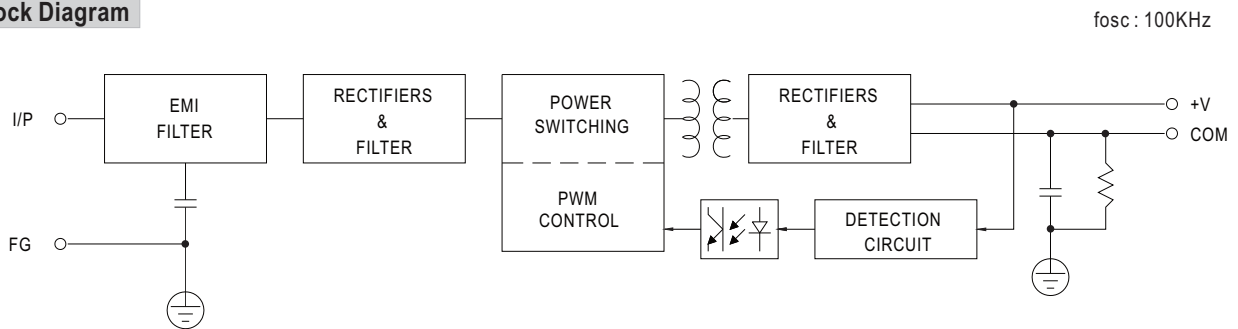
Pin No.	Assignment	Mating Housing	Terminal
1	AC/L	Molex 2139 or equivalent	Molex 2478 or equivalent
2	No Pin		
3	AC/N		

DC Output Connector (CN2) : Molex 41791-04 or equivalent

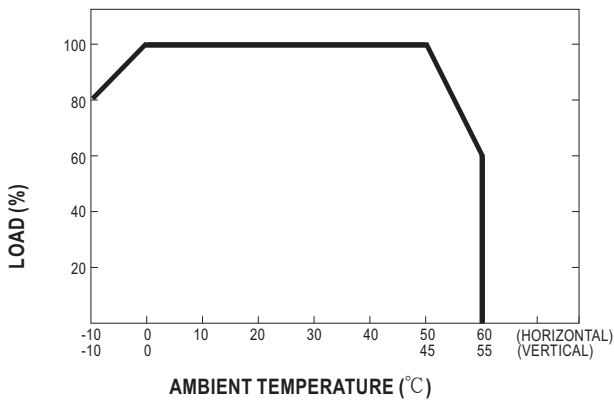
Pin No.	Assignment	Mating Housing	Terminal
1	V1	Molex 2139 or equivalent	Molex 2478 or equivalent
2,3	COM		
4	V2		

⚠ HS1,HS2,HS3 can not be shorted

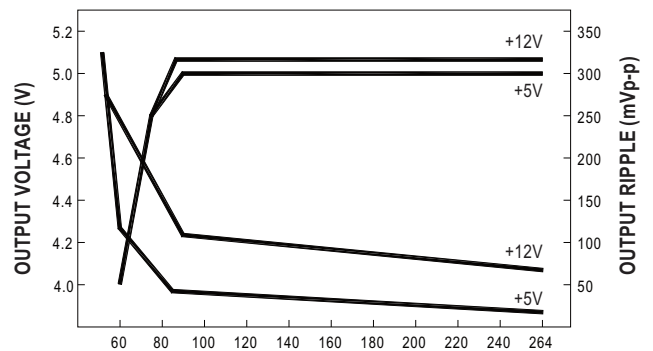
## Block Diagram



## Derating Curve



## Static Characteristics (A)



File Name:PD-25-SPEC 2024-10-30