

RSD-500 Series

500W Enclosed Type Reliable Railway DC-DC Converter



Features

- Compliance to BS EN/EN50155 and BS EN/EN45545-2 railway standard
- 1U low profile 41mm
- 2:1 wide input range
- **Fanless design**, half encapsulated, cooling by free air convection
- -40~+80°C wide operating temperature
- DC output adjustable
- Protections: Short circuit / Overload / Over voltage / Over temperature / Input reverse polarity / Input under voltage protection
- 4KVdc I/O isolation(Reinforced isolation)
- Operating altitude up to 5000 meters(Note.5)
- LED indicator for power on
- 3 years warranty

Description

RSD-500 series is a 500W enclosed type reliable railway DC-DC converter. This series is compliant with BS EN/EN50155/BS EN/EN45545-2 railway standard, constituting three types of models with 2:1 wide but different input ranges 16.8~33.6V/33.6~67.2V/67.2~154V, suitable for railway and all kinds of transportation systems exploiting the frequently used standard input voltages such as 24V, 36V, 48V, 72V, 96V and 110V. Various output voltages, 12V, 24V and 48V are available for selection.

This series has the capability of working under -40~+80°C, low ripple and noise, supreme EMC characteristics, 4KVdc I/O isolation, low enclosure profile 41mm and an interior with semi-potted silicone. It does not only well fits the in-car systems or the facilities by rails for railway, trams and buses but also can be used in the harsh environment with high vibration, high dust, extremely low or high temperature, etc.

Model Encoding

RSD - 500 **B** - **24**

- Output voltage(12/24/48Vdc)
- Input voltage (B:16.8~33.6Vdc, C:33.6~67.2Vdc, D:67.2~154Vdc)
- Rated wattage
- Series name

Applications

- Bus, tram, metro or railway system
- Industrial control system
- Semi-conductor fabrication equipment
- Factory automation
- Electro-mechanical
- Wireless network
- Telecom or datacom system
- Highly vibrating, highly dusty, extremely low or high temperature harsh environment

GTIN CODE

MW Search: <https://www.meanwell.com/serviceGTIN.aspx>

RSD-500 Series

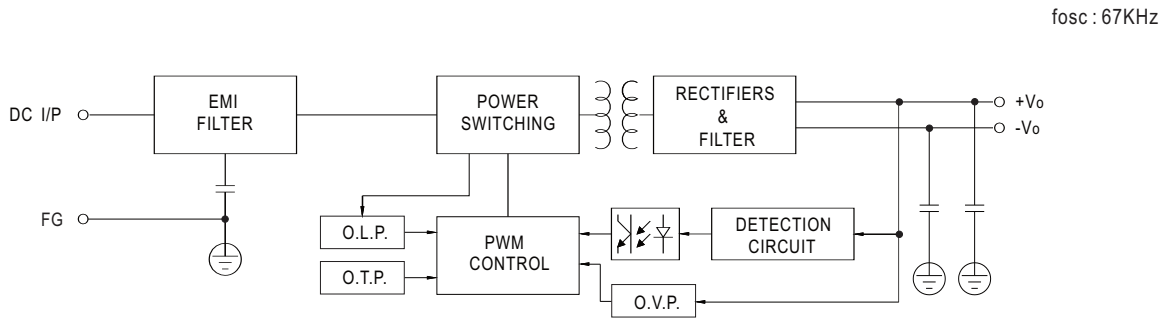
500W Enclosed Type Reliable Railway DC-DC Converter



SPECIFICATION

| MODEL | | RSD-500B-12 | RSD-500B-24 | RSD-500B-48 | RSD-500C-12 | RSD-500C-24 | RSD-500C-48 | RSD-500D-12 | RSD-500D-24 | RSD-500D-48 | |
|--------------------------------|---|--|-------------|-------------------------------------|-------------------|-------------------------|--------------------------------------|---|-------------------|-------------|--|
| OUTPUT | DC VOLTAGE | 12V | 24V | 48V | 12V | 24V | 48V | 12V | 24V | 48V | |
| | RATED CURRENT | 35A | 17.5A | 8.8A | 35A | 19.2A | 9.6A | 35A | 20.8A | 10.4A | |
| | CURRENT RANGE | 0 ~ 35A | 0 ~ 17.5A | 0 ~ 8.8A | 0 ~ 35A | 0 ~ 19.2A | 0 ~ 9.6A | 0 ~ 35A | 0 ~ 20.8A | 0 ~ 10.4A | |
| | RATED POWER | 420W | 420W | 422.4W | 420W | 460.8W | 460.8W | 420W | 499.2W | 499.2W | |
| | RIPPLE & NOISE (max.) Note.2 | 100mVp-p | 120mVp-p | 150mVp-p | 100mVp-p | 120mVp-p | 150mVp-p | 100mVp-p | 120mVp-p | 150mVp-p | |
| | VOLTAGE ADJ. RANGE | 12 ~ 14V | 24 ~ 28V | 48~ 56V | 12 ~ 14V | 24 ~ 28V | 48~ 56V | 12 ~ 14V | 24 ~ 28V | 48~ 56V | |
| | VOLTAGE TOLERANCE Note.3 | ±1.0% | ±1.0% | ±1.0% | ±1.0% | ±1.0% | ±1.0% | ±1.0% | ±1.0% | ±1.0% | |
| | LINE REGULATION | ±0.5% | ±0.5% | ±0.5% | ±0.5% | ±0.5% | ±0.5% | ±0.5% | ±0.5% | ±0.5% | |
| | LOAD REGULATION | ±1.0% | ±1.0% | ±1.0% | ±1.0% | ±1.0% | ±1.0% | ±1.0% | ±1.0% | ±1.0% | |
| | SETUP, RISE TIME | 500ms, 60ms | | | | | | | | | |
| HOLD UP TIME (Typ.) | Please refer to page 4 hold up time (Load de-rating curve) | | | | | | | | | | |
| INPUT | VOLTAGE RANGE | CONTINUOUS | | | 33.6 ~ 67.2Vdc | | | 67.2 ~ 154Vdc | | | |
| | Note.4 1s | 14.4 ~ 16.8Vdc | | | 28.8 ~ 33.6Vdc | | | 57.6 ~ 67.2Vdc | | | |
| | EFFICIENCY (Typ.) | 92% | 92% | 92% | 93% | 93% | 93% | 93% | 93% | 93% | |
| | DC CURRENT (Typ.) | 21.5A @24Vdc | | | 11A @48Vdc | | | 5A @110Vdc | | | |
| | INRUSH CURRENT (Typ.) | 30A | | | | | | | | | |
| INTERRUPTION OF VOLTAGE SUPPLY | EN50155:2017-B/C/D type comply with S1 level (3ms)@ full load; B/C type comply with S2 level (10ms)@ 70% load, D- type comply with S2 level (10ms) @ full load | | | | | | | | | | |
| PROTECTION | OVERLOAD | Constant current limiting 105~135% rated output power with auto-recovery | | | | | | | | | |
| | OVER VOLTAGE | 14.4 ~ 17.5V | 28.8 ~ 35V | 57.6 ~ 65V | 14.4 ~ 17.5V | 28.8 ~ 35V | 57.6 ~ 65V | 14.4 ~ 17.5V | 28.8 ~ 35V | 57.6 ~ 65V | |
| | | Protection type : Shut down o/p voltage, re-power on to recover | | | | | | | | | |
| | OVER TEMPERATURE | Shut down o/p voltage, re-power on to recover | | | | | | | | | |
| | REVERSE POLARITY | By internal, MOSFET, no damage, recovers automatically after fault condition is removed | | | | | | | | | |
| UNDER VOLTAGE LOCKOUT | 24Vin :Power ON ≥ 16.8V , OFF ≤ 16.5V | | | 48Vin :Power ON ≥ 33.6V , OFF ≤ 33V | | | 110Vin :Power ON ≥ 67.2V , OFF ≤ 65V | | | | |
| ENVIRONMENT | WORKING TEMP. | -40 ~ +80 °C (Refer to "Derating Curve") | | | | | | | | | |
| | WORKING HUMIDITY | 5 ~ 95% RH non-condensing | | | | | | | | | |
| | STORAGE TEMP., HUMIDITY | -40 ~ +85, 5 ~ 95% RH non-condensing | | | | | | | | | |
| | TEMP. COEFFICIENT | ±0.03%/°C (0 ~ 55 °C) | | | | | | | | | |
| | VIBRATION | Component:10 ~ 500Hz, 5G 10min./1cycle, 60min. each along X, Y, Z axes; Mounting: Compliance to IEC61373 | | | | | | | | | |
| OPERATING ALTITUDE Note.5 | 5000 meters / OVCI | | | | | | | | | | |
| SAFETY & EMC (Note 6) | SAFETY STANDARDS | UL62368-1, IEC 62368-1, AS/NZS 62368-1, EAC TP TC 004 approved, Design refer to BS EN/EN62368-1 | | | | | | | | | |
| | WITHSTAND VOLTAGE | I/P-O/P:4KVdc I/P-FG:2.5KVdc O/P-FG:2.5KVdc | | | | | | | | | |
| | ISOLATION RESISTANCE | I/P-O/P, I/P-FG, O/P-FG:>100M Ohms / 500Vdc / 25°C / 70% RH | | | | | | | | | |
| | EMC EMISSION | Parameter | | | | Standard | | | Test Level / Note | | |
| | | Conducted | | | | BS EN/EN55032 (CISRP32) | | | Class A | | |
| | | Radiated | | | | BS EN/EN55032 (CISRP32) | | | Class B | | |
| | | Voltage Flicker | | | | BS EN/EN61000-3-3 | | | ----- | | |
| | Harmonic Current | | | | ----- | | | ----- | | | |
| | EMC IMMUNITY | BS EN/EN55035 | | | | | | | | | |
| | | Parameter | | | | Standard | | | Test Level / Note | | |
| ESD | | | | | BS EN/EN61000-4-2 | | | Level 3, 8KV air ; Level 3, 6KV contact; criteria A | | | |
| Radiated | | | | | BS EN/EN61000-4-3 | | | Level 3, 10V/m ; criteria A | | | |
| EFT / Burst | | | | | BS EN/EN61000-4-4 | | | Level 3, 2KV ; criteria A | | | |
| Surge | | | | | BS EN/EN61000-4-5 | | | Level 3, 1KV/Line-Line ;Level 3, 2KV/Line-Line-FG ;criteria A | | | |
| Conducted | | | | | BS EN/EN61000-4-6 | | | Level 3, 10V ; criteria A | | | |
| Magnetic Field | | | | BS EN/EN61000-4-8 | | | Level 4, 30A/m ; criteria A | | | | |
| RAILWAY STANDARD | Compliance to BS EN/EN45545-2 for fire protection ; BS EN/EN50155 / IEC60571 including IEC61373 for shock & vibration, BS EN/EN50121-3-2 for EMC | | | | | | | | | | |
| OTHERS | MTBF | 834.7K hrs min. Telcordia SR-332 (Bellcore) ; 99.1K hrs min. MIL-HDBK-217F (25°C) | | | | | | | | | |
| | DIMENSION | 237*100*41mm (L*W*H) | | | | | | | | | |
| | PACKING | 1.45Kg;10pcs/15.5Kg/0.8CUFT | | | | | | | | | |
| NOTE | <p>1. All parameters NOT specially mentioned are measured at normal input (B:24Vdc , C:48Vdc , D:110Vdc) , rated load and 25°C of ambient temperature.</p> <p>2. Ripple & noise are measured at 20MHz of bandwidth by using a 12" twisted pair-wire terminated with a 0.1µf & 47µf parallel capacitor.</p> <p>3. Tolerance : includes set up tolerance, line regulation and load regulation.</p> <p>4. Derating may be needed under low input voltage. Please check the derating curve for more details.</p> <p>5. The ambient temperature derating of 3.5°C/1000m with fanless models and of 5°C/1000m with fan models for operating altitude higher than2000m(6500ft).</p> <p>6. The power supply is considered as an independent unit, but the final equipment still need to re-confirm that the whole system complies with the EMC directives. For guidance on how to perform these EMC tests, please refer to "EMI testing of component power supplies." (as available on https://www.meanwell.com/Upload/PDF/EMI_statement_en.pdf)</p> <p>※ Product Liability Disclaimer : For detailed information, please refer to https://www.meanwell.com/serviceDisclaimer.aspx</p> | | | | | | | | | | |

Block Diagram



Input Fuse

There are two or three fuses connected in series to the positive input line, which are used to protect against abnormal surge. Fuse specifications of each model are shown as below.

| Type | Fuse Type | Reference and Rating |
|------|-----------|----------------------------|
| B | Time-Lag | WALTER WN 20, 20A, 500V *2 |
| C | Time-Lag | Conquer MST, 10A, 250V *3 |
| D | Time-Lag | Conquer MST, 10A, 250V *2 |

Input Reverse Polarity Protection

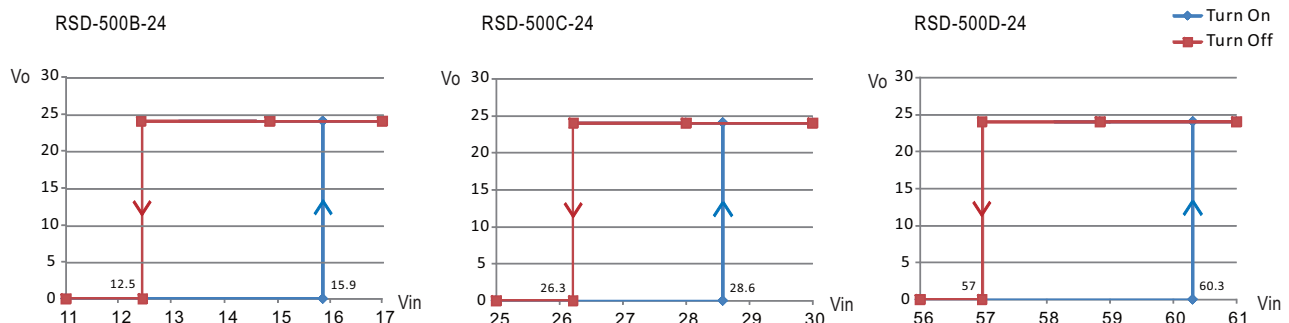
There is a MOSFET connected in series to the negative input line. If the input polarity is connected reversely, the MOSFET opens and there will be no output to protect the unit.

Input Range and Transient Ability

The series has a wide range input capability. Within $\pm 30\%$ of rated input voltage, it can be executed at full-load operation and operate properly; with $\pm 40\%$ of rated input voltage, it can withstand that for 1 second.

Input Under-Voltage Protection

If input voltage drops below V_{imin} , the internal control IC shuts down and there is no output voltage. It recovers automatically when input voltage reaches above V_{imin} , please refer to the cruve below.

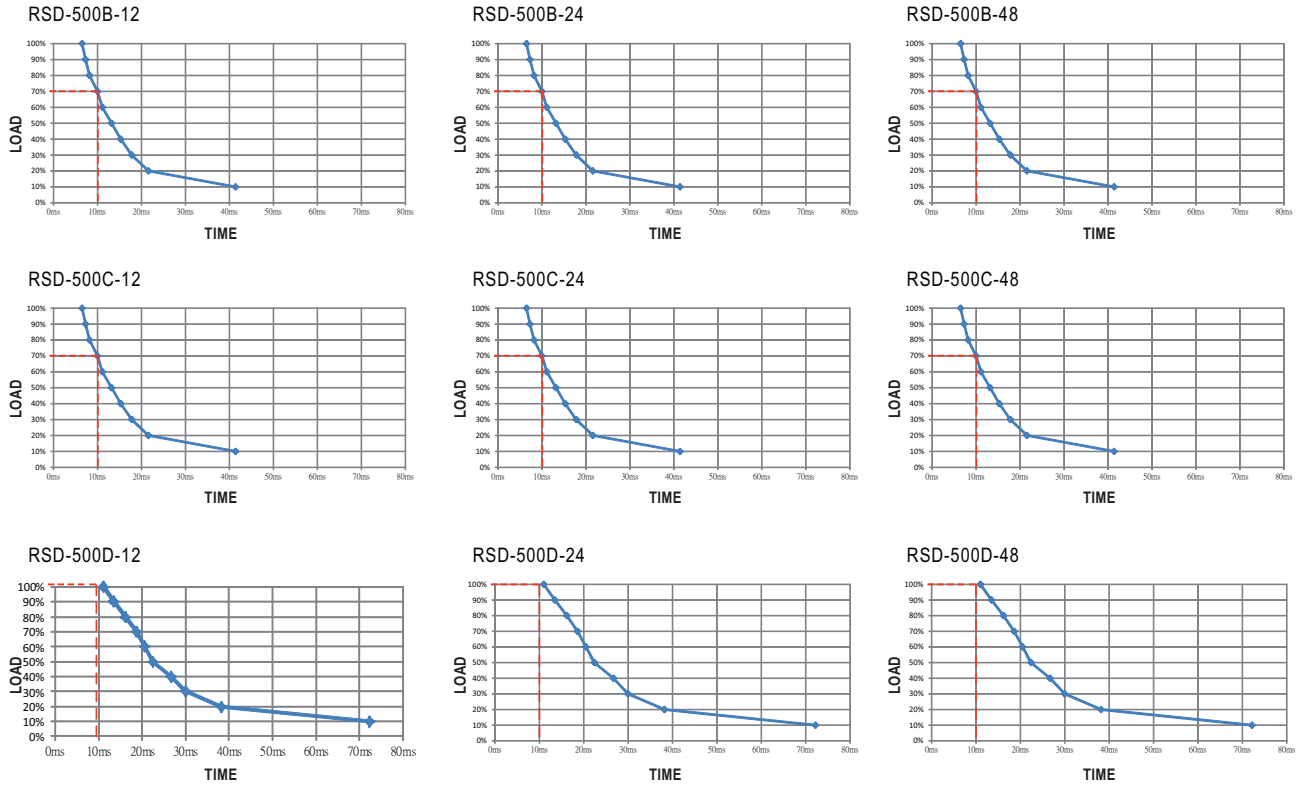


Inrush Current

Inrush current is suppressed by a resistor during the initial start-up, and then the resistor is bypassed by a Relay to reduce power consumption after accomplishing the start-up.

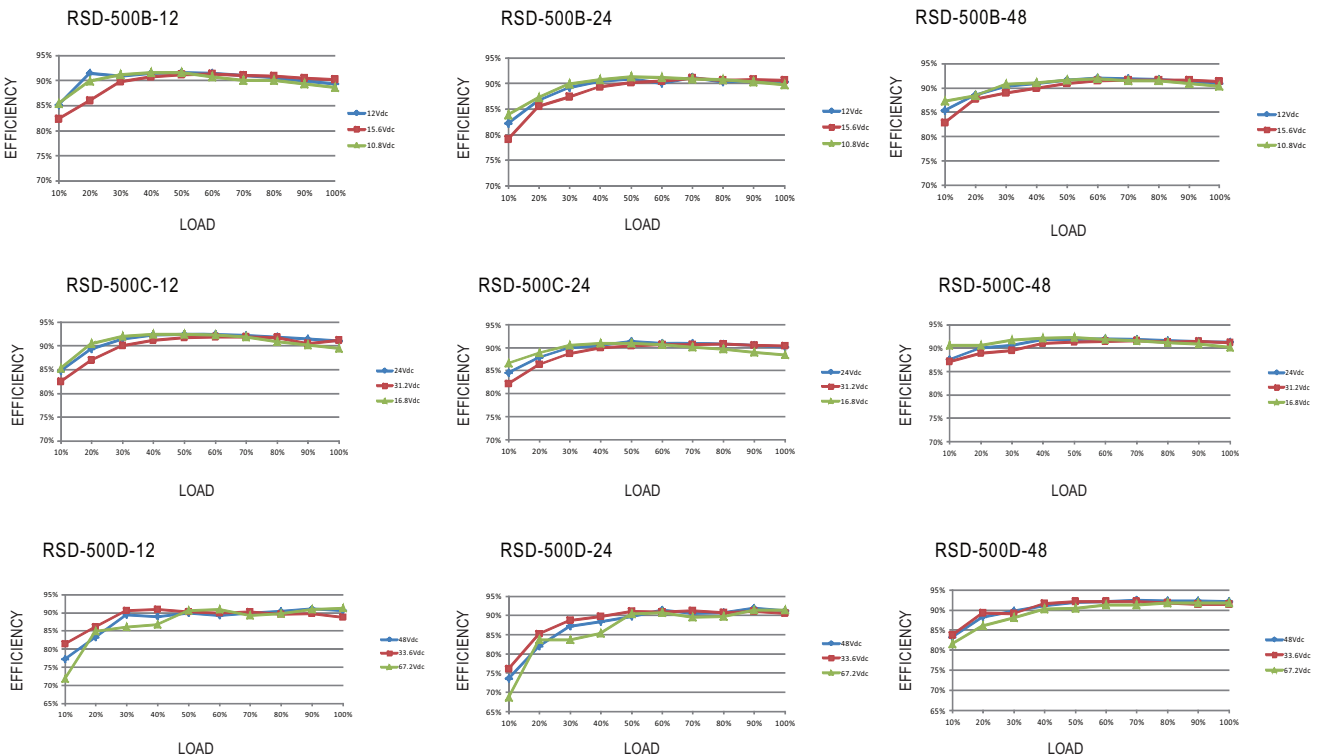
Hold-up Time

- EN50155:2017 version-D type is in compliance with S2 level (10ms), while B and C types are in compliance with S1 level (3ms) at full load output condition. To fulfil the requirements of S2 level (10ms), B and C types require de-rating their output load to 70%, please refer to the curve diagrams below.



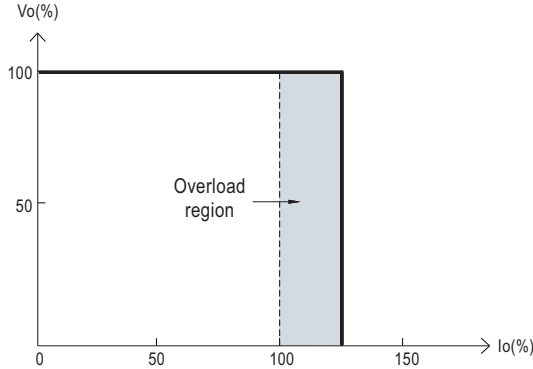
Efficiency vs Load & Vin Curve

The efficiency vs load & Vin curves of each model are shown as below.



Overload Protection

If the output draw up to 105~135% of its output power rating, the converter will go into overload protection which is constant current mode. After the faulty condition is removed, it will recover automatically. Please refer to the diagram below for the detail operation characteristic. Please note that it's not suitable to operate within the overload region continuously, or it may cause to over temperature and reduce the life of the power supply unit or even damage it.



Over Voltage Protection

The converter shuts off to protect itself when the output voltage drawn exceeds 115~140% of its output rating. It must be repowered on to recover.

Over Temperature Protection

The converter shuts off to protect itself when the built-in temperature sensor mounted on the main power transformer senses a high temperature. It must be repowered on to recover.

LED Indicator

Equipped with a built-in LED indicator, the converter provides an easy way for users to check its condition through the LED indicator.

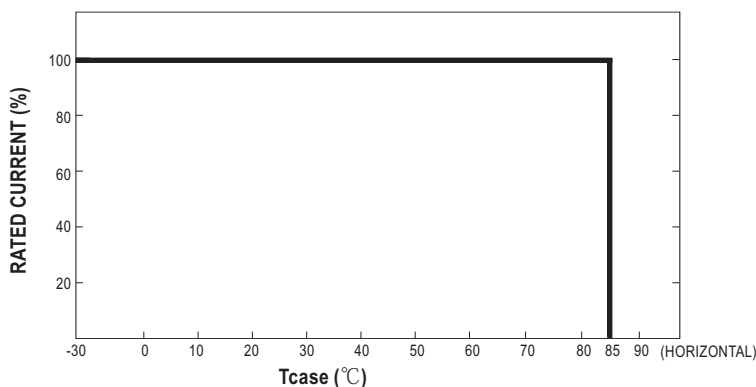
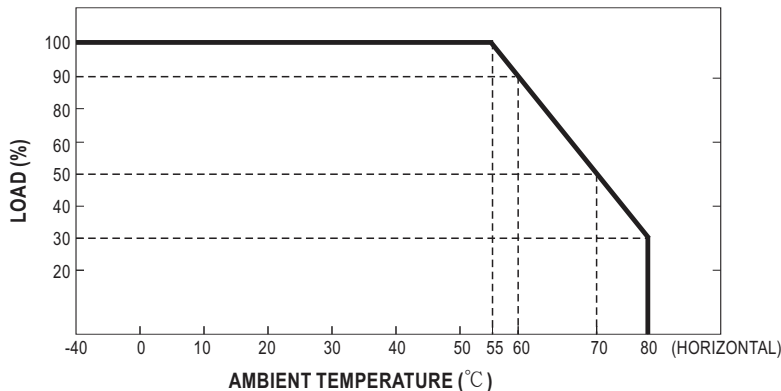
Green : normal operation;

No signal: no power or failure.

Derating Curve

a. Single unit operation

If the unit has no iron plate mounted on its bottom, the maximum ambient temperature for the unit will be 55°C as operating under full load condition. It requires de-rating output current when ambient temperature is between 55 ~ 80°C, please refer to the de-rating curve as below.

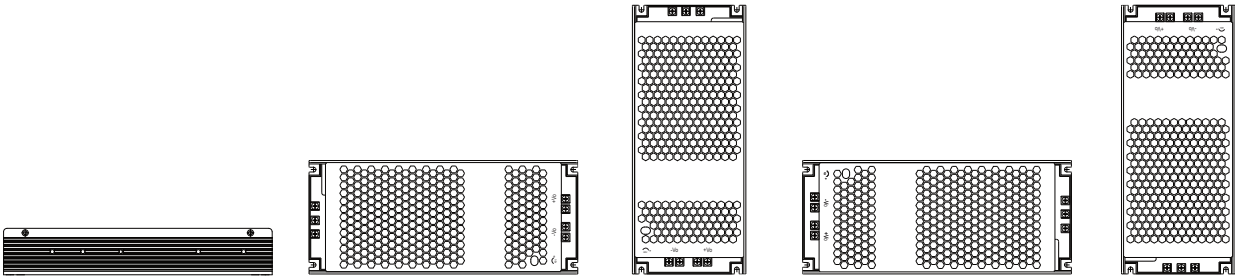


RSD-500 Series

500W Enclosed Type Reliable Railway DC-DC Converter

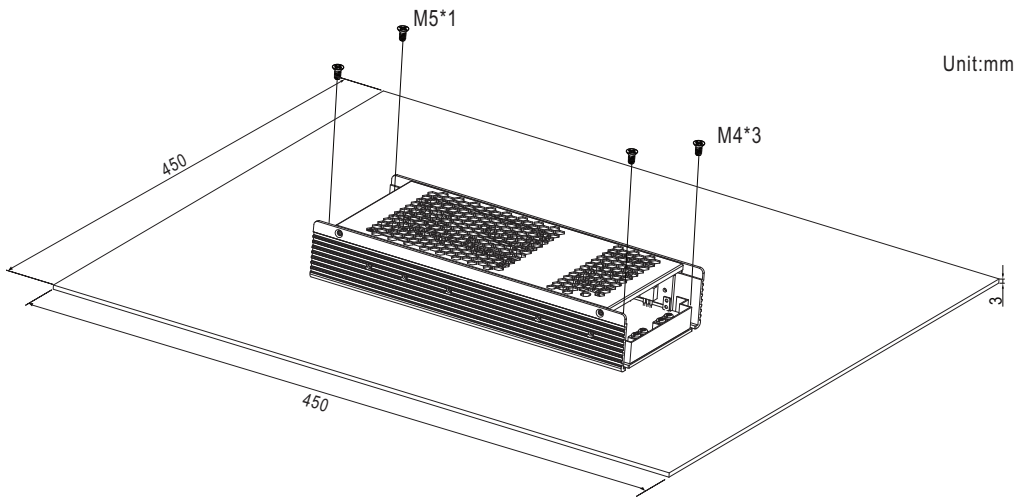


Suitable installation methods are shown as below. Since RSD-500 is a semi-potted model, its thermal performances for the following installation methods are similar and share the same derating curve.

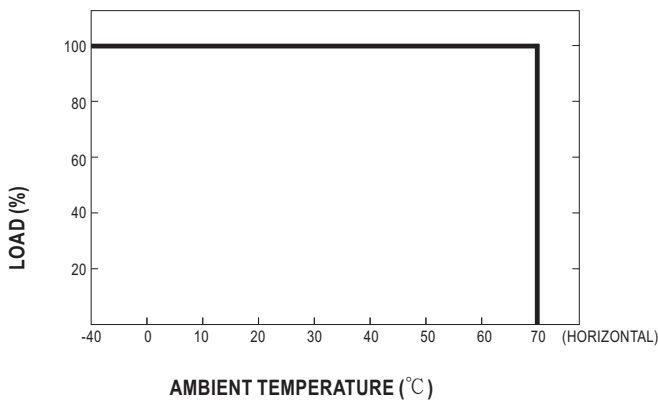


b. Operate with additional iron plate

If it is necessary to fulfil the requirements of EN50155 TX level that operate the unit fully-loaded at 70°C, RSD-500 series must be installed onto an iron plate on the bottom. The size of the suggested iron plate is shown as below. In order for optimal thermal performance, the iron plate must have an even & smooth surface and RSD-500 series must be firmly mounted at the center of the iron plate.



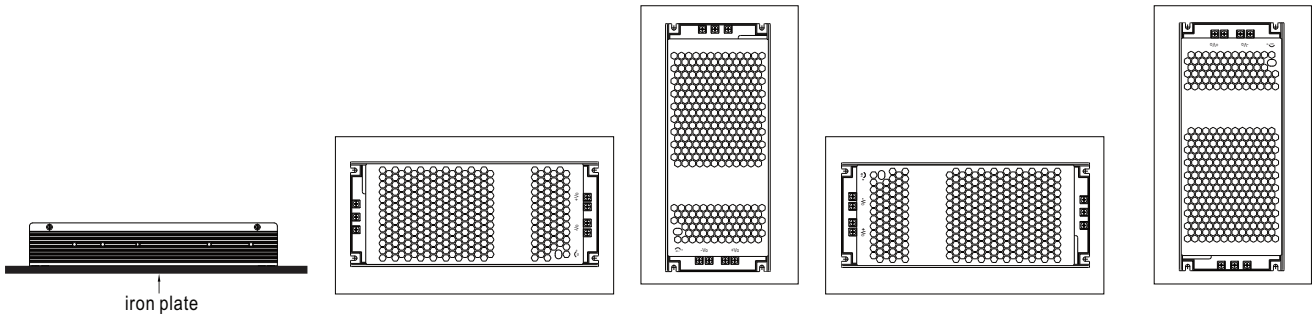
The load vs ambient temperature curve is shown as below.



Suitable installation methods are shown as below. Since RSD-500 is a semi-potted model, its thermal performances for the following installation methods are similar and share the same derating curve.

RSD-500 Series

500W Enclosed Type Reliable Railway DC-DC Converter



Immunity to Environmental Conditions

| Test method | Standard | Test conditions | Status |
|------------------------------|---|---|-----------|
| Cooling Test | EN 50155 section 12.2.3 (Column 2, Class TX) EN 60068-2-1 | Temperature: -40°C Dwell Time: 2 hrs/cycle | No damage |
| Dry Heat Test | EN 50155 section 12.2.4 (Column 2, Class TX) EN 50155 section 12.2.4 (Column 3, Class TX & Column 4, Class TX) EN 60068-2-2 | Temperature: 70°C / 85°C Duration: 6 hrs / 10min | PASS |
| Damp Heat Test, Cyclic | EN 50155 section 12.2.5 EN 60068-2-30 | Temperature: 25°C~55°C Humidity: 90%~100% RH Duration: 48 hrs | PASS |
| Vibration Test | EN 50155 section 12.2.11 EN 61373 | Temperature: 19°C Humidity: 65% Duration: 10 mins | PASS |
| Increased Vibration Test | EN 50155 section 12.2.11 EN 61373 | Temperature: 19°C Humidity: 65% Duration: 5 hrs | PASS |
| Shock Test | EN 50155 section 12.2.11 EN 61373 | Temperature: 21 ± 3°C Humidity: 65 ± 5% Duration: 30ms*18 | PASS |
| Low Temperature Storage Test | EN 50155 section 12.2.3 (Column 2, Class TX) EN 60068-2-1 | Temperature: -40°C Dwell Time: 16 hrs | PASS |
| Salt Mist Test | EN 50155 section 12.2.10 (Class ST4) | Temperature: 35°C ± 2°C Duration: 48 hrs | PASS |

EN45545-2 Fire Test Conditions

| Test Items | | | Hazard Level | | |
|------------|---|------|--------------|------|--|
| Items | Standard | HL1 | HL2 | HL3 | |
| R22 | Oxygen index test EN 45545-2:2013 EN ISO 4589-2:1996 | PASS | PASS | PASS | |
| | Smoke density test EN 45545-2:2013 EN ISO 5659-2:2006 | PASS | PASS | PASS | |
| | Smoke toxicity test EN 45545-2:2013 NF X70-100:2006 | PASS | PASS | PASS | |
| R24 | Oxygen index test EN 45545-2:2013 EN ISO 4589-2:1996 | PASS | PASS | PASS | |
| R25 | Glow-wire test EN 45545-2:2013 EN 60695-2-11:2000 | PASS | PASS | PASS | |
| R26 | Vertical flame test EN 45545-2:2013 EN 60695-11:2003 | PASS | PASS | PASS | |

RSD-500 Series

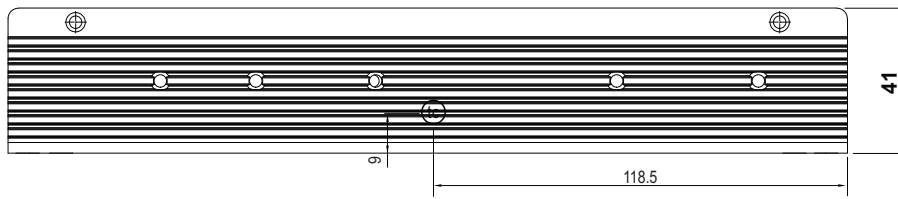
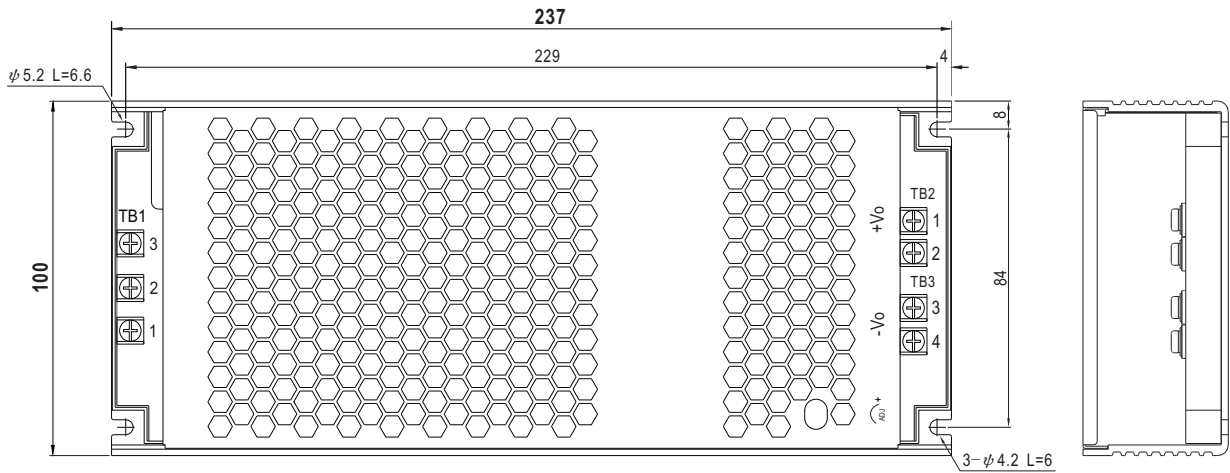
500W Enclosed Type Reliable Railway DC-DC Converter



Mechanical Specification

(Unit: mm , tolerance ± 1 mm)

Case No.270C



• t_c : Max. Case Temperature

Input Terminal Pin No. Assignment (TB1)

| Pin No. | Assignment |
|---------|---------------|
| 1 | DC input +Vin |
| 2 | DC input -Vin |
| 3 | FG \perp |

Output Terminal Pin No. Assignment (TB2, TB3)

| Pin No. | Assignment |
|---------|---------------|
| 1 | DC output +Vo |
| 2 | DC output +Vo |
| 3 | DC output -Vo |
| 4 | DC output -Vo |

Installation Manual

Please refer to : <http://www.meanwell.com/manual.html>