

SDX-5000-G24 Series

200W / 250W 24VDC Input ATX12V 1U Power Supplies



180 x 100 x 40.5 mm

7.09 x 3.94 x 1.60 inch

205 x 100 x 40.5 mm

8.07 x 3.94 x 1.60 inch



Features:

- * Input and output isolation
- * High efficiency and reliability
- * Altitude during operation up to 4000M
- * Soft start function, low inrush current
- * Input polarity reverse protection
- * Over voltage, over load & short circuit, over temperature protection
- * 3.3V & 5V VRM design
- * With power good signal & PS-ON signal output
- * Meet Intel ATX 2.01 / ATX2.31 / ATX 12V / EPS
- * UL, cUL, CB, CE approved
- * 2 years warranty

Specification:

	Model No.	SDX-5200-G24			SDX-5250-G24		
INPUT	Voltage	19V~32V (Typical 24V)					
	Current	<15A@19VDC			<18.5A@19VDC		
	Protection	Ceramic Fuse, 20A/250V			Ceramic Fuse, 25A / 250V		
OUTPUT	Voltage	5V	3.3V	12V	-12V	5Vsb	
	Min Load	0.3A	0A	0.2A	0A	0A	
	Max Load	SDX-5200	20A	20A	12A	1A	19V~23V: 1.3A 23V~32V: 1.5A
		SDX-5250			16A		
	Output Tolerance ②	±3%	±5%	±3%	±10%	±5%	
	Ripple Noise MAX. ③	70mV	70mV	120mV	120mV	70 mV	
Efficiency (TYP.)	75%						
Output MAX.	SDX-5200-G24 : 3.3V & 5V max 110W, total output max 200W SDX-5250-G24 : 3.3V & 5V max 110W, total output max 250W						
PROTECTION	Over Voltage	5.7V~6.5V	3.7V~4.1V	13.1V~14.5V	----	----	
	Shutdown and latch off, recover after re-start up.						
	Over current (MAX)	30A	30A	20A	----	----	
	Over Load & Short Circuit	When power supply over 105%~ 150% max load or short circuit acted, power supply will be shutdown and latch off, recover after re-start up.					
	Over Temperature	Over 95°C ± 5°C Shutdown, recovers automatically after fault condition has been removed.					
ELEC. CHAR.	Rise time	<20mS					
	Power Good signal	Power on within 100~500ms, high level TTL signal release.					
	PS-ON signal	P/S ON: PS-ON=Low or <0.8V, P/S OFF: PS-ON=Hi or >2V					
ENVIRONMENT	Temperature ④	Operating: -10~70°C; De-rating: 50~70°C : 2.5%/°C.; Storage: -20~+85°C					
	Humidity	Operating: 20% ~ 90% RH (non condensing); Storage: 10% ~ 95% RH (non condensing)					
	Altitude	4000M operating					
SAFETY	Withstand voltage	I/P-O/P:2KVAC, I/P-FG:1.5KVAC, 1minute					
	Isolation resistance	I/P-O/P, I/P-FG, > 100MΩ/500VDC at 25°C / 70% RH					
	Safety standard	UL 60950-1 2 nd , CSA C22.2 No. 60950-1-07 2 nd , IEC 60950-1:2005+A1+A2, approved					
EMC	EMI	EN /BS EN55032 CLASS B, FCC CFR 47 PART 15 CLASS B					
	EMS	EN /BS EN55035 EN /BS EN 61000-4-2,3,4,5,6,8					
OTHERS	Cooling	Forced airflow cooling with a DC fan.					
	M.T.B.F.	116 K hours					
	Dimension	SDX-5200-G24 : 180 x 100 x 40.5 mm (L*W*H)			SDX-5250-G24 : 205 x 100 x 40.5 mm (L*W*H)		
	PACKING	N.W.: 1.17 KG / 1PC; 12 PCS / 2.02 CUFT / 1 CTN			N.W.: 1.25 KG / 1PC; 12 PCS / 2.02 CUFT / 1 CTN		

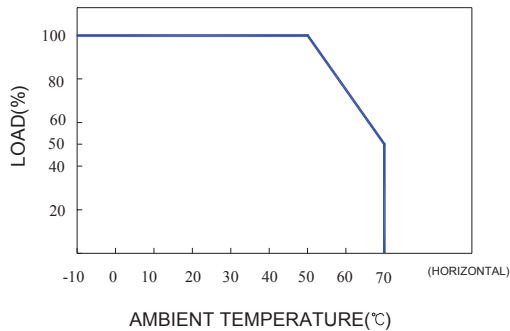
- NOTE
- ① All measurements which not mentioned are based on 24VDC input, **output max** at ambient 25°C / 70%RH
 - ② Output toleration included set up voltage, line regulation and load regulation.
The regulation is measured between 20%-100% **max load** of each output, Total output must under **output Max**.
 - ③ Ripple & noise are measured at 10~50°C condition and 20MHz of bandwidth by using a 10" ~15" twisted pair-wire terminated with a 0.1uF & a 10uF parallel capacitor.
 - ④ The operating temperature shall follow the de-rating curve in spec
 - ⑤ The power supply is considered a component of end-equipment. The end-equipment must be re-confirmed whether comply with EMC directives.
 - ⑥ Start up steps : Connect AC or DC source, before you turn on the power supply. The unit can't be operated by PS-ON and GND are shorted before power supply turns on. Please contact us for different requirement.

SDX-5000-G24 Series

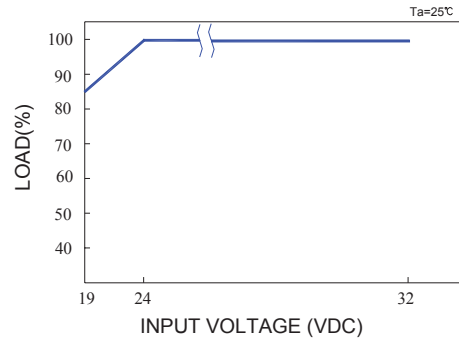
200W / 250W 24VDC Input ATX12V 1U Power Supplies



De-rating Curve :



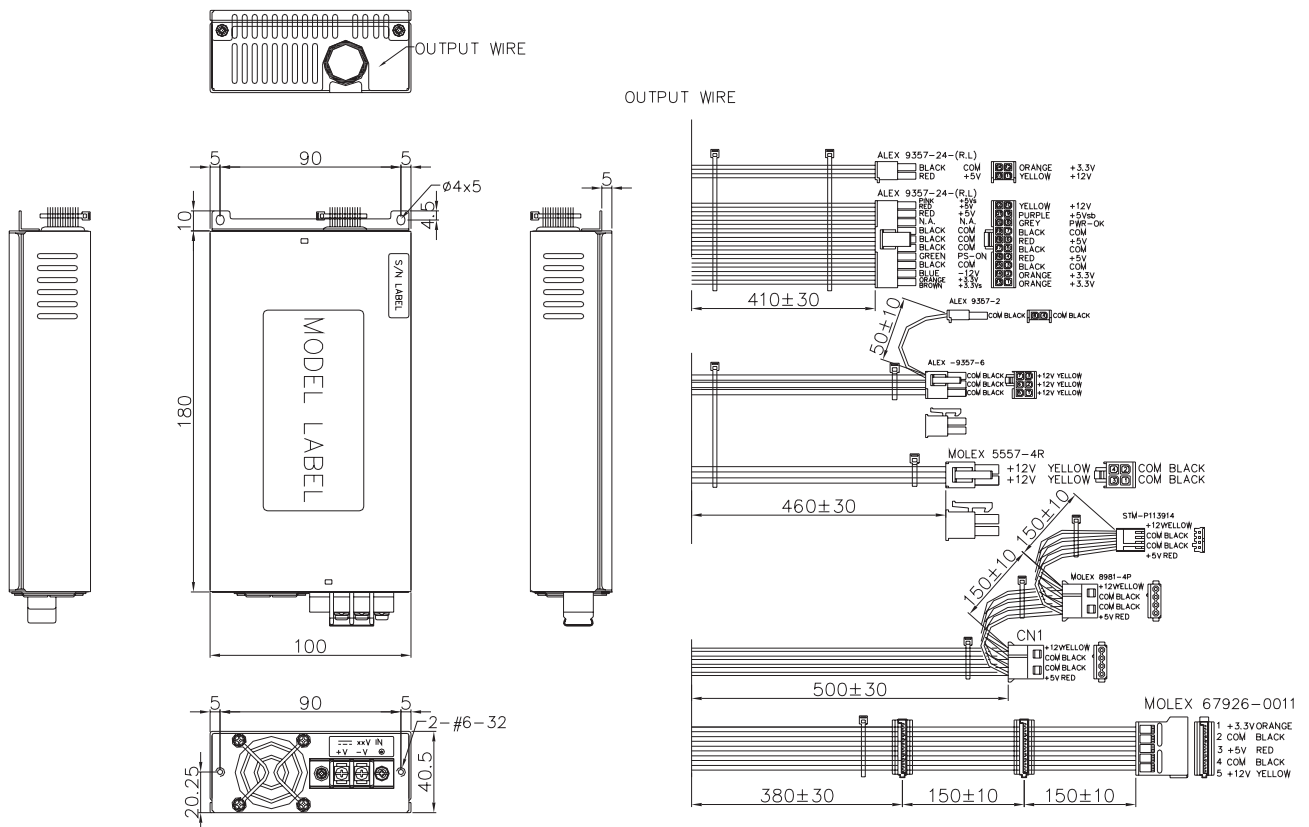
Output De-rating Vs Input Voltage :



Dimension:

(Unit: mm)

SDX-5200-G24



SDX-5000-G48 Series

200W~300W 48VDC Input ATX12V 1U Power Supplies



180 x 100 x 40.5 mm

7.09 x 3.94 x 1.60 inch

205 x 100 x 40.5 mm

8.07 x 3.94 x 1.60 inch



Features:

- * Input and output isolation
- * High efficiency and reliability
- * Altitude during operation up to 4000M
- * Soft start function, low inrush current
- * Input polarity reverse protection
- * Over voltage, over load & short circuit, over temperature protection
- * 3.3V & 5V VRM design
- * With power good signal & PS-ON signal output
- * Meet Intel ATX 2.01 / ATX2.31 / ATX 12V / EPS
- * UL, cUL, CB, CE approved
- * 2 years warranty

Specification:

	Model No.	SDX-5200-G48		SDX-5250-G48		SDX-5300-G48		
INPUT	Voltage	36V~72V (Typical 48V)						
	Current	<7.5A@36VDC		<9.6A@36VDC		<11.5A@36VDC		
	Protection	Ceramic Fuse, 10A/250V		Ceramic Fuse, 12A / 250V		Ceramic Fuse, 15A/250V		
	Voltage	5V	3.3V	12V1	12V2	-12V	5Vsb	
OUTPUT	Min Load	0.3A	0A	0.2A	0A	0A	0A	
	Max Load	SDX-5200	20A	20A	12A	----	1A	2A
		SDX-5250	20A		16A	----		
		SDX-5300	25A		16A	16A		
	Output Tolerance ②	±3%	±5%	±3%	±3%	±10%	±5%	
	Ripple Noise MAX. ③	70mV	70mV	120mV	120mV	120mV	70 mV	
Efficiency (TYP.)	78%							
OUTPUT MAX.	SDX-5200-G48 : 3.3V & 5V max 110W, total output max 200W							
	SDX-5250-G48 : 3.3V & 5V max 110W, total output max 250W							
	SDX-5300-G48 : 3.3V & 5V max 125W, total output max 300W							
PROTECTION	Over Voltage	5.7V~6.5V	3.7V~4.1V	13.1V~14.5V		----	----	
	Shutdown and latch off, recover after re-start up.							
	Over current (MAX)	30A	30A	20A	20A	----	----	
	Over Load & Short Circuit	When power supply over 105%~ 150% max load or short circuit acted, power supply will be shutdown and latch off, recover after re-start up.						
Over Temperature	Over 95°C ± 5°C Shutdown, recovers automatically after fault condition has been removed.							
ELEC. CHAR.	Rise time	<20mS						
	Power Good signal	Power on within 100~500ms, high level TTL signal release.						
ENVIRONMENT	PS-ON signal	P/S ON: PS-ON=Low or <0.8V, P/S OFF: PS-ON=Hi or >2V						
	Temperature ④	Operating: -10~70°C; De-rating: 50~70°C : 2.5%/°C.; Storage: -20~+85°C						
	Humidity	Operating: 20% ~ 90% RH (non condensing); Storage: 10% ~ 95% RH (non condensing)						
SAFETY	Altitude	4000M operating						
	Withstand voltage	I/P-O/P:2KVAC, I/P-FG:1.5KVAC, 1minute						
	Isolation resistance	I/P-O/P, I/P-FG, > 100MΩ/500VDC at 25°C/ 70% RH						
	Safety standard	UL 60950-1 2 nd , CSA C22.2 No. 60950-1-07 2 nd , IEC 60950-1:2005+A1+A2, approved						
EMC	EMI	EN /BS EN 55032 CLASS B, FCC CFR 47 PART 15 CLASS B						
	EMS	EN /BS EN 55035 EN/BS EN 61000-4-2,3,4,5,6,8						
OTHERS	Cooling	Forced airflow cooling with a DC fan.						
	M.T.B.F.	116 K hours						
	Dimension	180 x 100 x 40.5 mm (L*W*H)		180 x 100 x 40.5 mm (L*W*H)		205 x 100 x 40.5 mm (L*W*H)		
	PACKING	N.W.: 1.17 KG / 1PC; 12 PCS / 2.02 CUFT / 1 CTN		N.W.: 1.25 KG / 1PC; 12 PCS / 2.02 CUFT / 1 CTN				

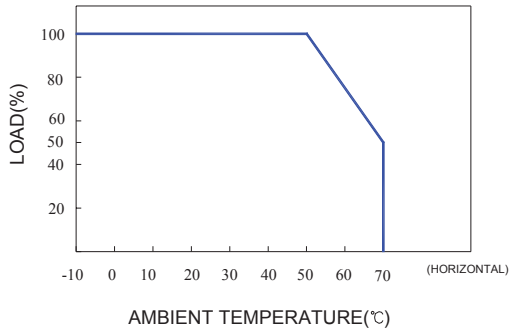
- NOTE
- ① All measurements which not mentioned are based on 48VDC input, **output max** at ambient 25°C / 70%RH
 - ② Output tolerance included set up voltage, line regulation and load regulation.
The regulation is measured between 20%-100% **max load** of each output, Total output t must under **output Max**.
 - ③ Ripple & noise are measured at 10~50°C condition and 20MHz of bandwidth by using a 10" ~ 15" twisted pair-wire terminated with a 0.1uF & a 10uF parallel capacitor.
 - ④ The operating temperature shall follow the de-rating curve in spec
 - ⑤ The power supply is considered a component of end-equipment. The end-equipment must be re-confirmed whether comply with EMC directives.
 - ⑥ Start up steps : Connect AC or DC source, before you turn on the power supply. The unit can't be operated by PS-ON and GND are shorted before power supply turns on. Please contact us for different requirement.

SDX-5000-G48 Series

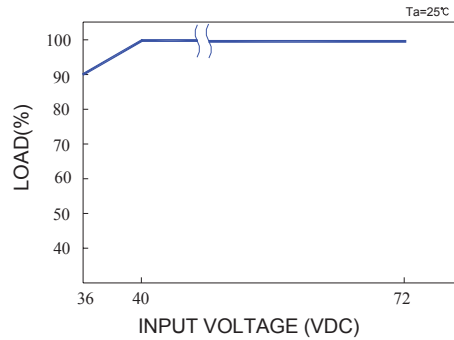
200W~300W 48VDC Input ATX12V 1U Power Supplies



De-rating Curve :



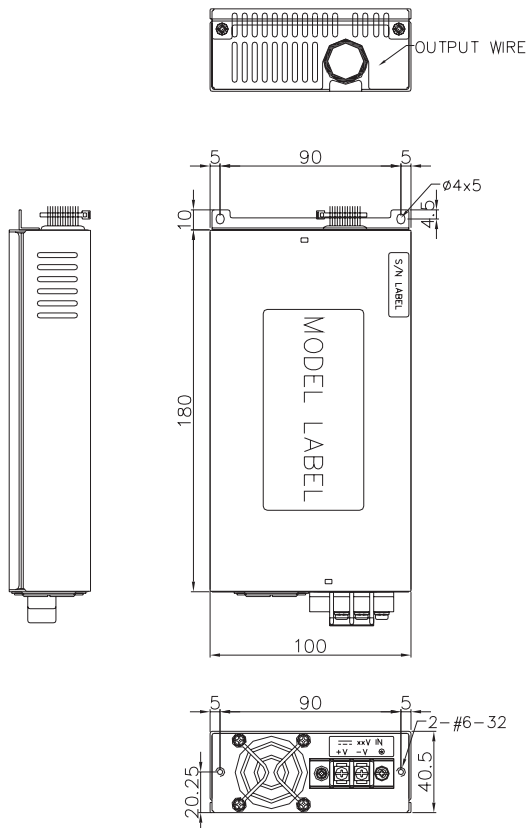
Output De-rating Vs Input Voltage :



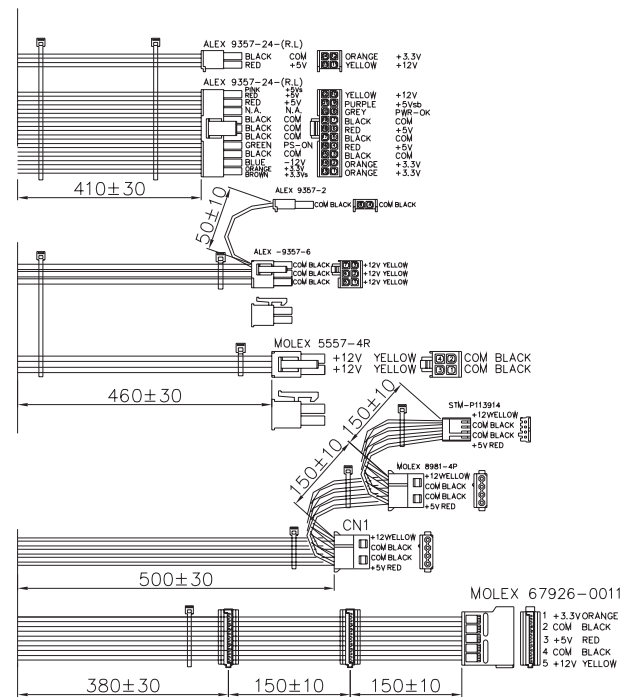
Dimension:

(Unit: mm)

SDX-5200-G48/SDX-5250-G48



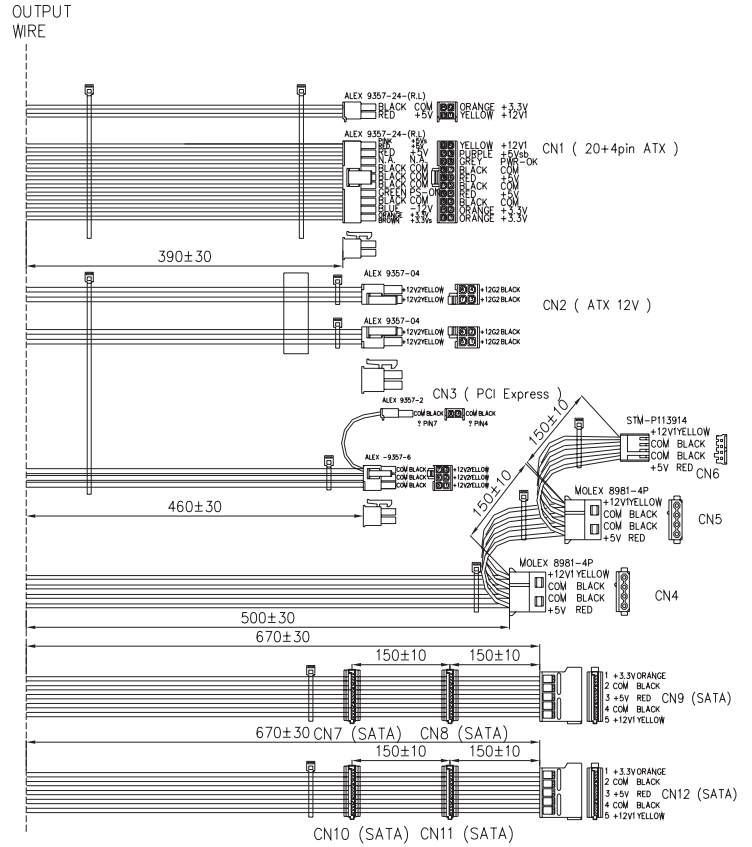
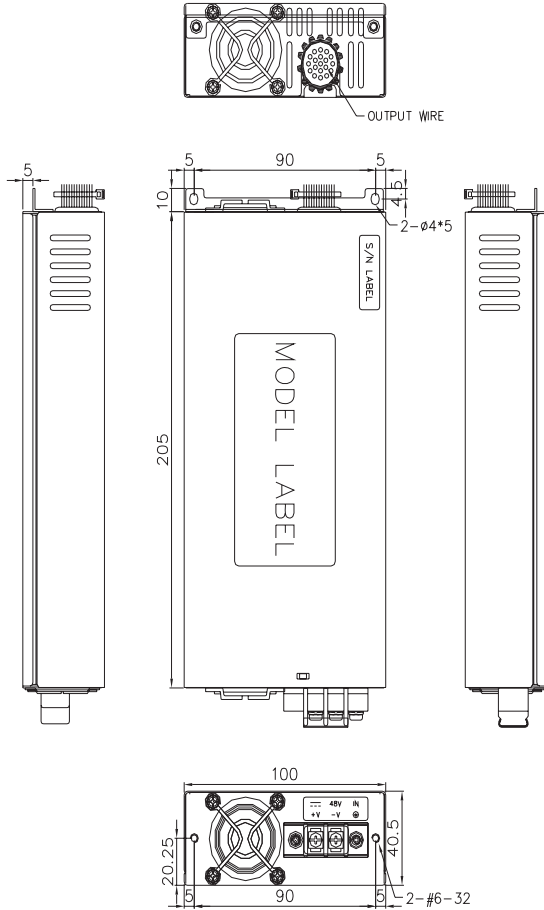
OUTPUT WIRE



Dimension:

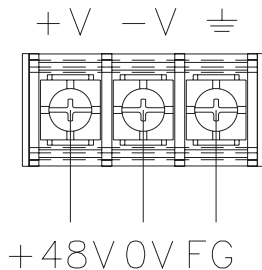
(Unit: mm)

SDX-5300-G48



Input Voltage Connection:

A TYPE : +48V Input



B TYPE : -48V Input

