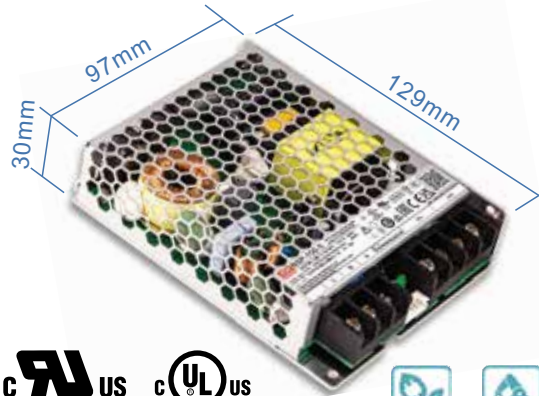


# NSP-150 Series

150W AC/DC High Reliable Multi-Industries Enclosed Type Power Supply



IEC62368-1  
IEC61558-1/2-16  
IEC61010-1/2-201  
IEC60601-1  
IEC60335-1  
IEC62477-1



BS EN/EN62368-1  
BS EN/EN61558-1/2-16  
BS EN/EN61010-1/2-201  
BS EN/EN60601-1  
BS EN/EN60335-1  
BS EN/EN62477-1



UL62368-1  
ANSI/AAMI ES60601-1



LISTED  
UL61010-1



AS/NZS61558-1/2-16 AS/NZS62368-1  
GB4943.1  
CNS15998-1  
KC62368-1 (By request)  
IS13252  
EAC  
CE  
UK CA  
TPTC004

## Features

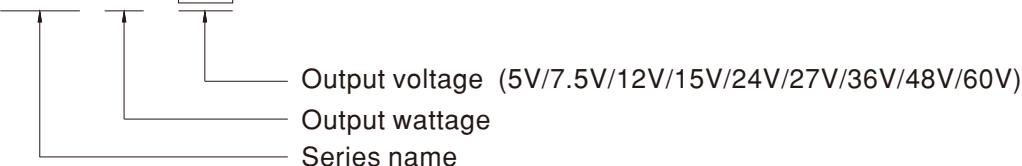
- 85~305Vac input with PFC(277Vac available)
- No load power consumption <0.3W~0.5W by R.C.
- Global certificates in multi-fields (ITE 62368-1, Medical 60601-1, Household 60335-1, Industrial 61558-1/2-16/61010-1, Energy converter 62477-1)
- 200% peak power capability(12~60V models)
- High efficiency up to 93%
- -40~85°C wide range operation temperature(>+60°C derating)
- Extremely low leakage current<350μA, 2 x MOPP, suitable for BF medical applications
- Built-in constant current limiting circuit
- Protections: Short circuit / Overload / Over voltage / Over temperature
- Fanless design for noise sensitive applications
- Built-in remote ON/OFF control
- Over voltage category III (OVC III)
- Operating altitude up to 5000 meters
- Conformal coating
- 5 years warranty

## Description

The NSP-150 series is a 150W AC/DC power supply with PFC function, designed for high reliability and suitable for multiple industries. Key features include: compact size (129\*97\*30 mm) for better space utilization in system installations, ultra-wide input range of 85~305Vac for global compatibility, up to 93% efficiency and low standby power consumption (<0.3W~0.5W) for energy-saving and carbon reduction, constant current design with 200% peak power capability, fanless design, wide operating temperature range from -40 to +85°C (+60°C at full load), compliance with OVCIII, built-in Remote Control /Remote Sense/DC OK signal, internal PCB coating, complete protections, certifications for multiple safety standards including 62368-1, 60601-1, 61558-1, 60335-1, 62477-1, and 61010-1, as well as 2 X MOPP compliance and extremely low leakage current (<350μA). It is suitable for BF-rated medical equipment and comes with a 5-years warranty, making it a highly cost-effective solution for industrial power supply needs.

## Model Encoding

NSP -150 - 24



## Applications

- Industrial automation machinery/control system
- Security system
- Mechanical and electrical equipment
- Electronic instruments, equipments or apparatus
- Network equipment
- Telecom devices
- Power sourcing equipment of PoE
- Home automation
- Medical devices

## GTIN CODE

MW Search: <https://www.meanwell.com/serviceGTIN.aspx>

# NSP-150 Series

150W AC/DC High Reliable Multi-Industries Enclosed Type Power Supply



SPECIFICATION		NSP-150-5	NSP-150-7.5	NSP-150-12	NSP-150-15	NSP-150-24	NSP-150-27	NSP-150-36	NSP-150-48	NSP-150-60
<b>OUTPUT</b>										
DC VOLTAGE		5V	7.5V	12V	15V	24V	27V	36V	48V	60V
RATED CURRENT		30A	20A	12.5A	10A	6.3A	5.6A	4.2A	3.15A	2.55A
CURRENT RANGE		0 ~ 30A	0 ~ 20A	0 ~ 12.5A	0 ~ 10A	0 ~ 6.3A	0 ~ 5.6A	0 ~ 4.2A	0 ~ 3.15A	0 ~ 2.55A
RATED POWER		150W	150W	150W	150W	151.2W	151.2W	151.2W	151.2W	153W
PEAK	CURRENT(5 sec.)	N/A	N/A	25A	20A	12.5A	11.2A	8.4A	6.3A	5.1A
	POWER(5 sec.)	N/A	N/A	300W	300W	300W	300W	300W	300W	300W
RIPPLE & NOISE (max.) Note.2		150mVp-p	150mVp-p	150mVp-p	150mVp-p	200mVp-p	240mVp-p	240mVp-p	240mVp-p	300mVp-p
VOLTAGE ADJ. RANGE		4.7 ~ 5.5V	6.8 ~ 9V	10.8 ~ 14V	15 ~ 19V	21 ~ 26V	26 ~ 32V	32 ~ 43V	44 ~ 57V	54 ~ 72V
VOLTAGE TOLERANCE Note.3		±2.0%	±2.0%	±2.0%	±2.0%	±1.0%	±1.0%	±1.0%	±1.0%	±1.0%
LINE REGULATION		±0.5%	±0.5%	±0.5%	±0.5%	±0.5%	±0.5%	±0.5%	±0.5%	±0.5%
LOAD REGULATION		±1.0%	±1.0%	±0.5%	±0.5%	±0.5%	±0.5%	±0.5%	±0.5%	±0.5%
SETUP, RISE TIME		1500ms, 80ms/115Vac		1000ms, 80ms/230Vac		1000ms, 80ms/277Vac				
HOLD UP TIME (Typ.)		16ms at full load								
<b>INPUT</b>										
VOLTAGE RANGE Note.4		85 ~ 305Vac 120 ~ 431Vdc								
NO LOAD POWER CONSUMPTION(Typ.)	Remote Power OFF	0.3W/115Vac		0.5W/230Vac		0.5W/277Vac				
	Remote Power ON	3W/115Vac		3W/230Vac		3W/277Vac				
FREQUENCY RANGE		47 ~ 63Hz								
POWER FACTOR (Typ.)		PF>0.98/115Vac, PF>0.93/230Vac, PF>0.9/277Vac at full load								
EFFICIENCY (Typ.)		91%	91.5%	93%	93%	92%	92%	92.5%	92.5%	93%
AC CURRENT (Typ.)		1.55A/115Vac		0.75A/230Vac		0.63A/277Vac				
INRUSH CURRENT (Typ.)		COLD START 23A/115Vac 45A/230Vac 55A/277Vac								
LEAKAGE CURRENT		Earth leakage current <350µA(rms)@277Vac, touch current<100µA(rms) @ 277Vac								
<b>PROTECTION</b>										
SHORT CIRCUIT	5V	Hiccup mode, recovers automatically after fault condition is removed								
	7.5V-60V	Constant current limiting for more than 5 seconds (Vout<30%) and then shut down o/p voltage, AC re-power on to recover								
OVERLOAD	5V	105%-170% rated Output power; Hiccup mode, recovers automatically after fault condition is removed								
	7.5V	105%~150% rated output power; Constant current limiting for more than 5 seconds and then shut down o/p voltage, AC re-power on to recover								
	12V ~ 60V	Normally works within 105 ~ 200% rated output power for more than 5 seconds and then constant current limiting without shutdown(Vout>30%), recovers automatically after fault condition is removed, or shut down o/p voltage when Vout<30%,AC re-power on to recover >200% rated power, constant current limiting (Vout>30%)with auto-recovery after fault condition is removed, or shut down o/p voltage when Vout<30%,AC re-power on to recover								
OVER VOLTAGE	5.8 ~ 7.5V	9 ~ 13V	15 ~ 19V	20 ~ 25V	28 ~ 36V	33~ 42V	44 ~ 54V	58~ 70V	73~ 86V	
	Protection type : Shut down o/p voltage, re-power on to recover									
OVER TEMPERATURE		Shut down o/p voltage, re-power on to recover								
<b>FUNCTION</b>										
REMOTE CONTROL		POWER ON: RC+~RC-		0~0.8Vdc or open						
		POWER OFF: RC+~RC-		3.3~10Vdc by external voltage						
REMOTE SENSE		Compensate voltage drop on the load wiring up to 0.3V. Please refer to the Function Manual								
DC OK SIGNAL		By phototransistor, contact rating(max.):15Vdc/10mA resistive load. Please refer to the Function Manual.								
<b>ENVIRONMENT</b>										
WORKING TEMP.		-40 ~ +85°C (Refer to "Derating Curve")								
WORKING HUMIDITY		20 ~ 90% RH non-condensing								
STORAGE TEMP., HUMIDITY		-40 ~ +85°C, 10 ~ 95% RH non-condensing								
TEMP. COEFFICIENT		±0.05%/°C (0 ~ 60°C)								
VIBRATION		10 ~ 500Hz, 2G 10min./1cycle, 60min. each along X, Y, Z axes								

# NSP-150 Series

150W AC/DC High Reliable Multi-Industries Enclosed Type Power Supply



SAFETY & EMC (Note 6)			
SAFETY STANDARDS	CB	IEC62368-1, IEC60335-1, IEC61558-1/-2-16, IEC61010-1/-2-201, IEC60601-1; IEC62477-1	
	DEKRA	BS EN/EN62368-1, BS EN/EN60335-1, BS EN/EN61558-1/-2-16, BS EN/EN61010-1/-2-201, BS EN/EN60601-1(3.2 Version);BS EN/EN62477-1	
	UL	UL62368-1, ANSI/AAMI ES60601-1(3.2 Version),UL61010-1/-2-201	
	RCM	AS/NES 62368-1, AS/NES61558-1/-2-16	
	CCC	GB4943.1	
	BSMI	CNS15598-1	
	EAC	TP TC 004 approved;	
	KC/BIS	KC62368-1 and BIS IS13252 (Part 1): 2010 certified, no stock by request, contact sale for inquires	
ISOLATION RESISTANCE	Primary-Secondary: 2xMOPP, Primary-Earth: 1xMOPP, Secondary-Earth: 1xMOPP		
OVER VOLTAGE CATEGORY	IEC/EN 61558-1/-2-16	(OVC III, altitude up to 2000M)	
	IEC/EN/UL 62368-1	(OVC II, altitude up to 5000M)	
	IEC/EN 60335-1	(OVC II, altitude up to 5000M)	
	IEC/EN 60601-1	(OVC II, altitude up to 4000M)	
	IEC/EN 61010-1/-2-201	(OVC II, altitude up to 5000M)	
	IEC/EN 62477-1	(OVC II, altitude up to 5000M)	
SAFETY EXTRA-LOW VOLTAGE(SELV)	IEC/EN 61558-2-16 (SELV, 5 ~ 36V) IEC/EN 60335-1 (SELV, 5 ~ 36V) IEC/EN/UL 62368-1 (SELV/ES1, 5 ~ 36V)		
WITHSTAND VOLTAGE	I/P-O/P:4.2KVac I/P-FG:2.1KVac O/P-FG:1.5KVac		
ISOLATION RESISTANCE	I/P-O/P, I/P-FG, O/P-FG:100M Ohms / 500VDC / 25°C / 70% RH		
EMC EMISSION	Parameter	Standard	Test Level / Note
	Conducted	BS EN/EN55032(CISPR32),CNS 15936	Class B
		BS EN/EN55014-1(CISPR14-1)	
		BS EN/EN55011(CISPR11)	Class B
	Radiated	BS EN/EN55032(CISPR32),CNS 15936	Class B
		BS EN/EN55014-1(CISPR14-1)	
		BS EN/EN55011(CISPR11)	Class B
	Harmonic Current	BS EN/EN61000-3-2(IEC61000-3-2)	Class A
Voltage Flicker	BS EN/EN61000-3-3(IEC61000-3-3)	-----	
BS EN/EN55035(CISPR35),BS EN/EN61000-6-2(IEC61000-6-2),BS EN/EN60601-1-2(IEC60601-1-2), BS EN/EN55014-2(CISPR14-2)			
EMC IMMUNITY	Parameter	Standard	Test Level / Note
	ESD	BS EN/EN61000-4-2	Level 4, 15KV air ; Level 4, 8KV contact
	Radiated	BS EN/EN61000-4-3	Level 3, 10V/m(80MHz~2.7GHz) Table 9, 9~28V/m(385MHz~5.78GHz)
	EFT / Burst	BS EN/EN61000-4-4	Level 3, 2KV
	Surge	BS EN/EN61000-4-5	Level 4, 2KV/Line-Line 4KV/Line-Earth
	Conducted	BS EN/EN61000-4-6	Level 3, 10V
	Magnetic Field	BS EN/EN61000-4-8	Level 4, 30A/m
	Voltage Dips and Interruptions	BS EN/EN61000-4-11	>95% dip 0.5 periods, 30% dip 25 periods, >95% interruptions 250 periods
OTHERS			
MTBF	2159.4 K hrs min. Telcordia SR-332 (Bellcore) ; 258. 3 K hrs min. MIL-HDBK-217F (25°C)		
DIMENSION (L*W*H)	129*97*30mm		
PACKING	0.42Kg;30pcs/13.6Kg/0.76 CUFT		

## NOTE

- All parameters NOT specially mentioned are measured at 230Vac input, rated load and 25°C of ambient temperature.
- Ripple & noise are measured at 20MHz of bandwidth by using a 12" twisted pair-wire terminated with a 0.1uF & 47uF parallel capacitor.
- Tolerance: includes set up tolerance, line regulation and load regulation.
- Derating may be need under low input voltages. Please refer to "STATIC CHARACTERISTIC" sections for details.
- The ambient temperature derating of 3.5°C/1000m with fanless models and 5°C/1000m with fan models for operating altitude higher than 2000m(6500ft).
- The power supply is considered a component which will be installed into a final equipment. All the EMC tests are been executed by mounting the unit on a 360mm\*360mm metal plate with 1mm of thickness. The final equipment must be re-confirmed that it still meets EMC directives. For guidance on how to perform these EMC tests, please refer to "EMI testing of component power supplies."  
(as available on [https://www.meanwell.com/Upload/PDF/EMI\\_statement\\_en.pdf](https://www.meanwell.com/Upload/PDF/EMI_statement_en.pdf))
- RCM is on voluntary basis and meets relevant IEC or AS/NZS standards complying with AS/NZS 4417.1.
- ※ Product Liability Disclaimer: For detailed information, please refer to <https://www.meanwell.com/serviceDisclaimer.aspx>

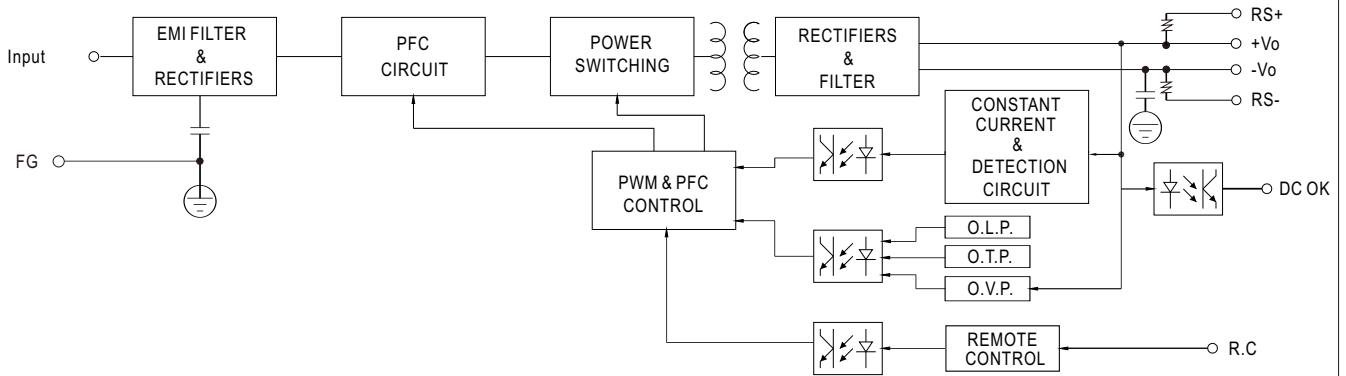
# NSP-150 Series

150W AC/DC High Reliable Multi-Industries Enclosed Type Power Supply



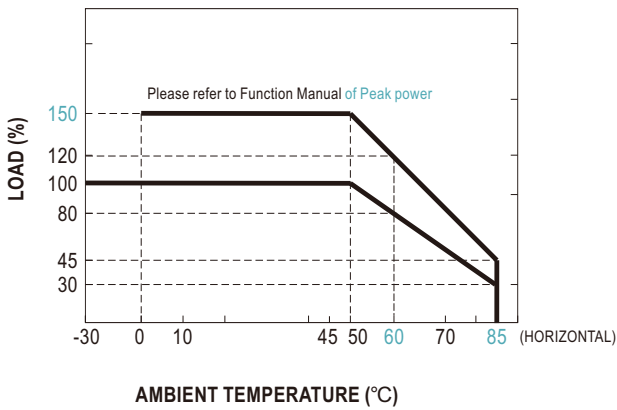
PFC fosc : 65KHz  
PWM fosc : 80KHz

## Block Diagram

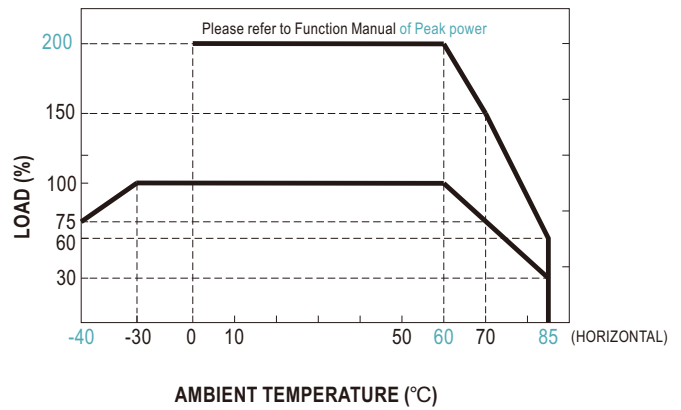


## Derating Curve

Suitable for 100/110/115/120Vac System (85~135Vac)

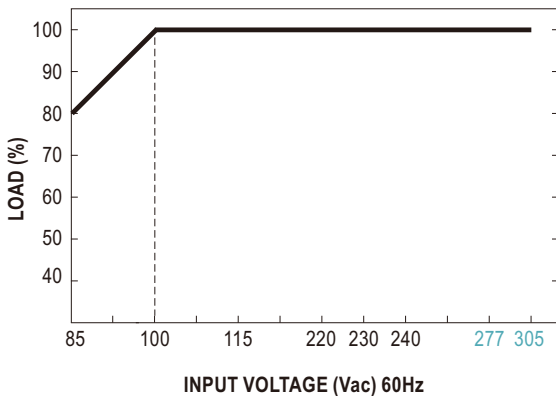


Suitable for 220/230/240/277Vac System (180~305Vac)



Note: Below 100Vac @ -30°C there may be a restart situation within 3 seconds after power-on

## Output Derating vs Input Voltage



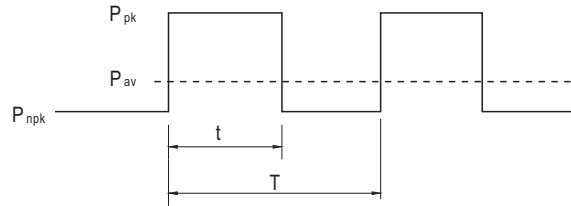
## Function Manual

### 1. Peak Power

$$P_{av} = \frac{P_{pk} \times t + P_{npk} \times (T-t)}{T} \leq P_{rated}$$

$$Duty = \frac{t}{T} \times 100\% \leq 35\%$$

$$t \leq 5 \text{ sec}$$



$P_{av}$  : Average output power (W)

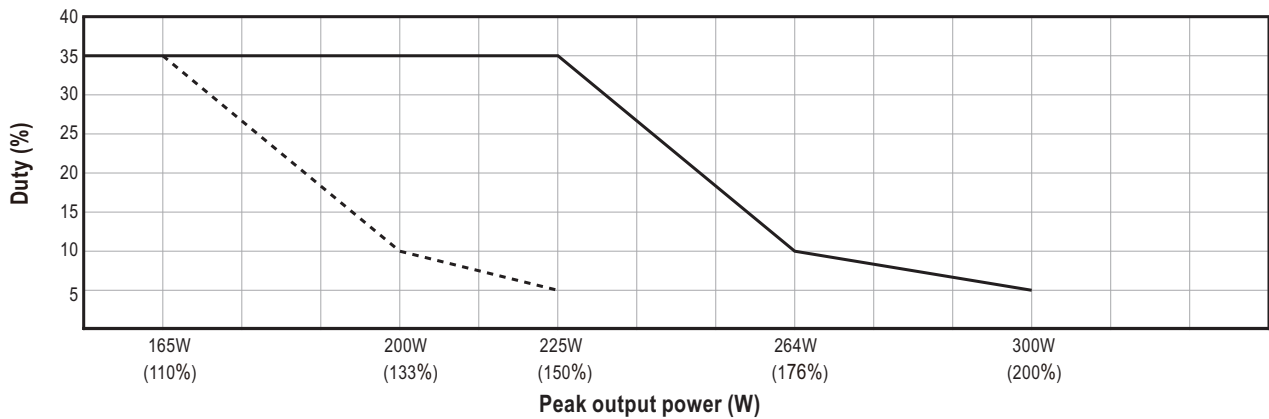
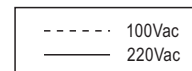
$P_{pk}$  : Peak output power (W)

$P_{npk}$  : Non-peak output power (W)

$P_{rated}$  : Rated output power (W)

$t$  : Peak power width (sec)

$T$  : Period (sec)



#### For example (24V model) :

$V_{in} = 200\text{Vac}$      $Duty_{max} = 5\%$

$P_{av} = P_{rated} = 150\text{W}$

$P_{pk} = 300\text{W}$

$t \leq 5 \text{ sec}$

$$T \geq \frac{5 \text{ sec}}{5\%} \geq 100\text{sec}$$

$$P_{npk} \leq \frac{TP_{av} - tP_{pk}}{T-t}$$

$P_{npk} \leq 142\text{W}$

Note: When the output voltage is adjusted to the upper limit, the peak power is 150% rated power

# NSP-150 Series

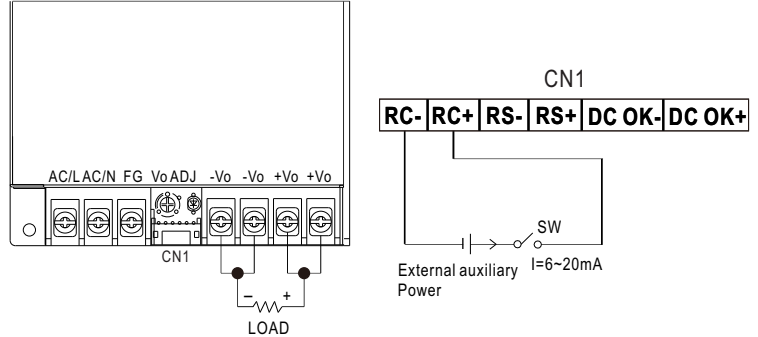
150W AC/DC High Reliable Multi-Industries Enclosed Type Power Supply



## 2. Remote Control

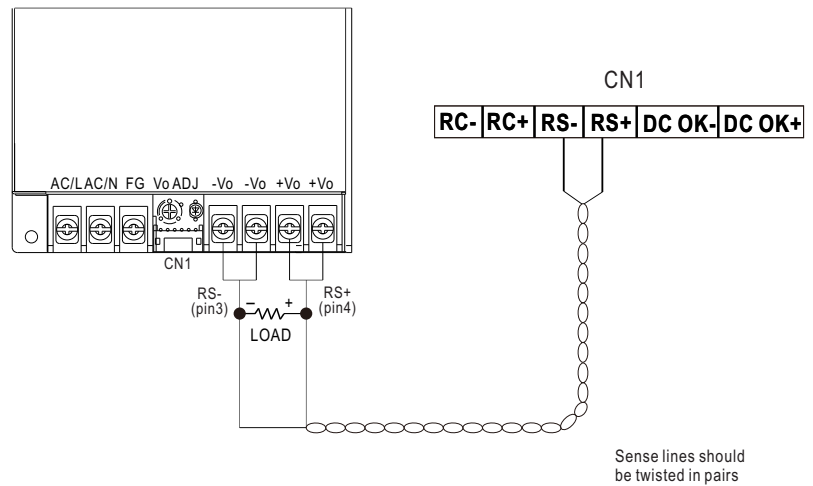
The PSU can be turned ON/OFF by using the "Remote Control" function with external switch and auxiliary power

PSU Vo Status	Between RC-(pin1) and RC+(pin2) on CN1
POWER ON	SW open or keep 0~0.8Vdc
POWER OFF	SW short or keep 3.3~10Vdc



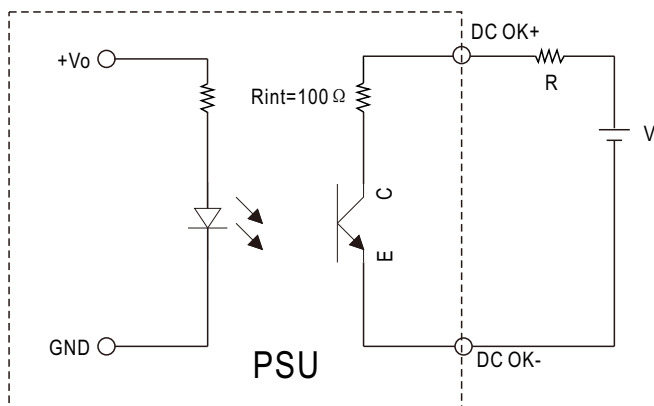
## 3. Remote Sense

The remote sensing compensates voltage drop on the load wiring up to 0.3Vdc



## 4. DC\_OK signal

※ DC\_OK is a collector shorted signal. It is used by an optocoupler in the power supply which indicates the output status of the power supply as exhibited below.



External voltage source (V) and resistor (R)

PSU Vo Status	Photo transistor
POWER ON	Conduct (Low impedance)
POWER OFF	Open (High impedance)

Optocoupler Rating (max.) 15Vdc/10mA resistive load

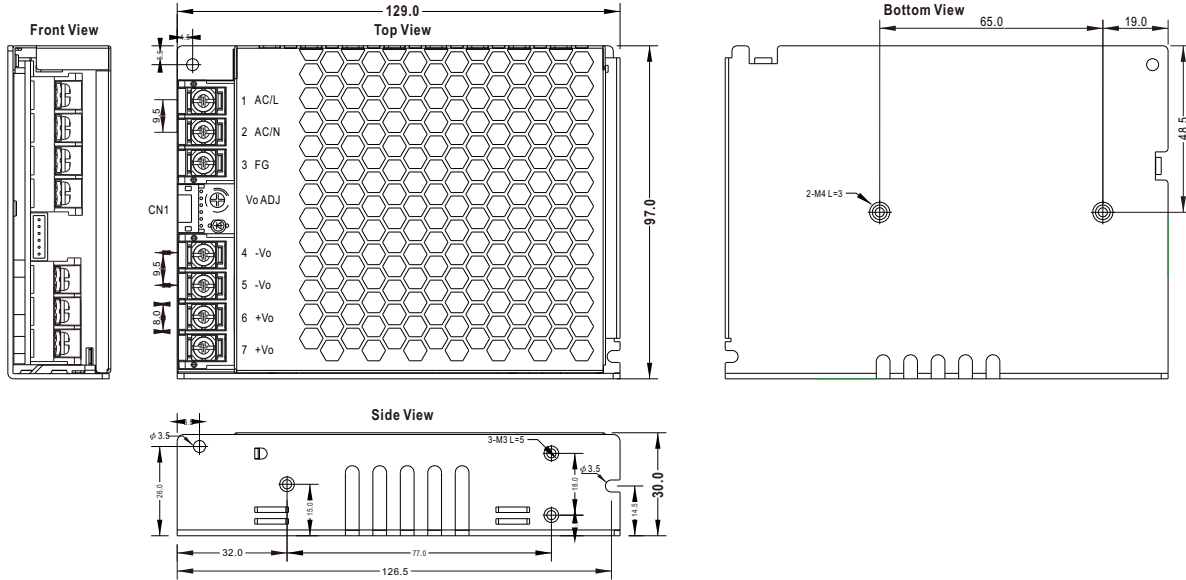
# NSP-150 Series

150W AC/DC High Reliable Multi-Industries Enclosed Type Power Supply



## Mechanical Specification

Case No.308A Unit:mm Tolerance:±1



### ※ Input Terminal Pin No. Assignment

Pin No.	Assignment	Diagram	Screw thread	Mounting torque
1	AC/L or DC input +Vin		M3.5	8~10Kgf.cm
2	AC/N or DC input -Vin			
3	FG $\perp$			

### ※ DC Output Terminal Pin No. Assignment

Pin No.	Assignment	Diagram	Screw thread	Mounting torque
4,5	-Vo		M3.5	8~10Kgf.cm
6,7	+Vo			

Connector Pin No. Assignment (CN1): DJS-1125R-06 or equivalent

Pin No.	Assignment	Mating Housing	Terminal
1	RC-	JS-11242-06 or equivalent	DJS-1125R-06 or equivalent
2	RC+		
3	RS-		
4	RS+		
5	DC OK-		
6	DC OK+		

## Accessory List

No.	Item	Quantity
1	Control function interface(CN1) mating wire along with NSP-150 (standard accessory)	1pcs/per model
2	Terminal cover MW'S Order NO. :PEE4TBC-03 (By request accessory,should ordered separately)	1pcs/per model
3	Terminal cover MW'S Order NO. :PEE4TBC-04 (By request accessory,should ordered separately)	1pcs/per model

## Installation Manual

Please refer to : <http://www.meanwell.com/manual.html>