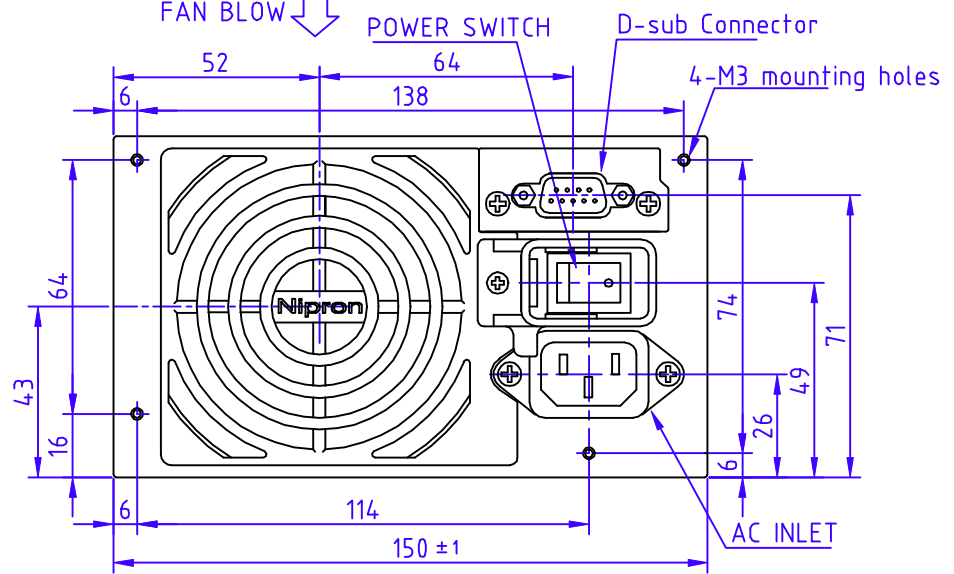
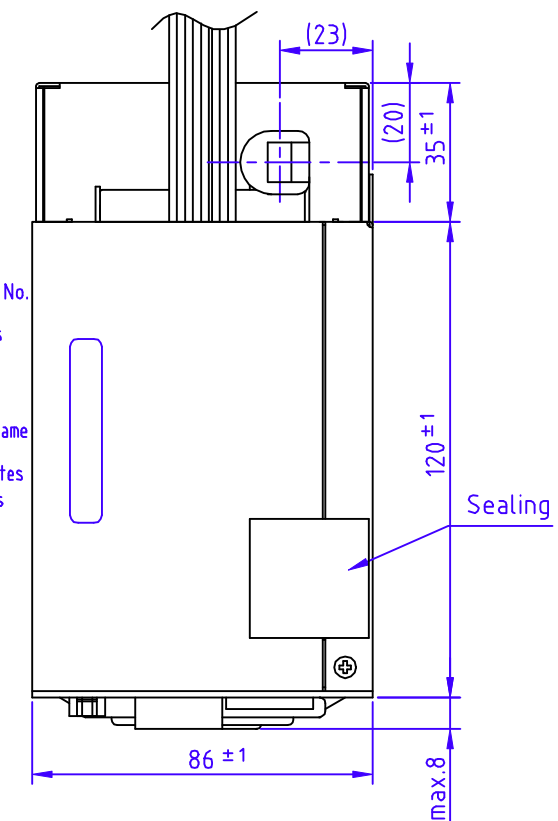
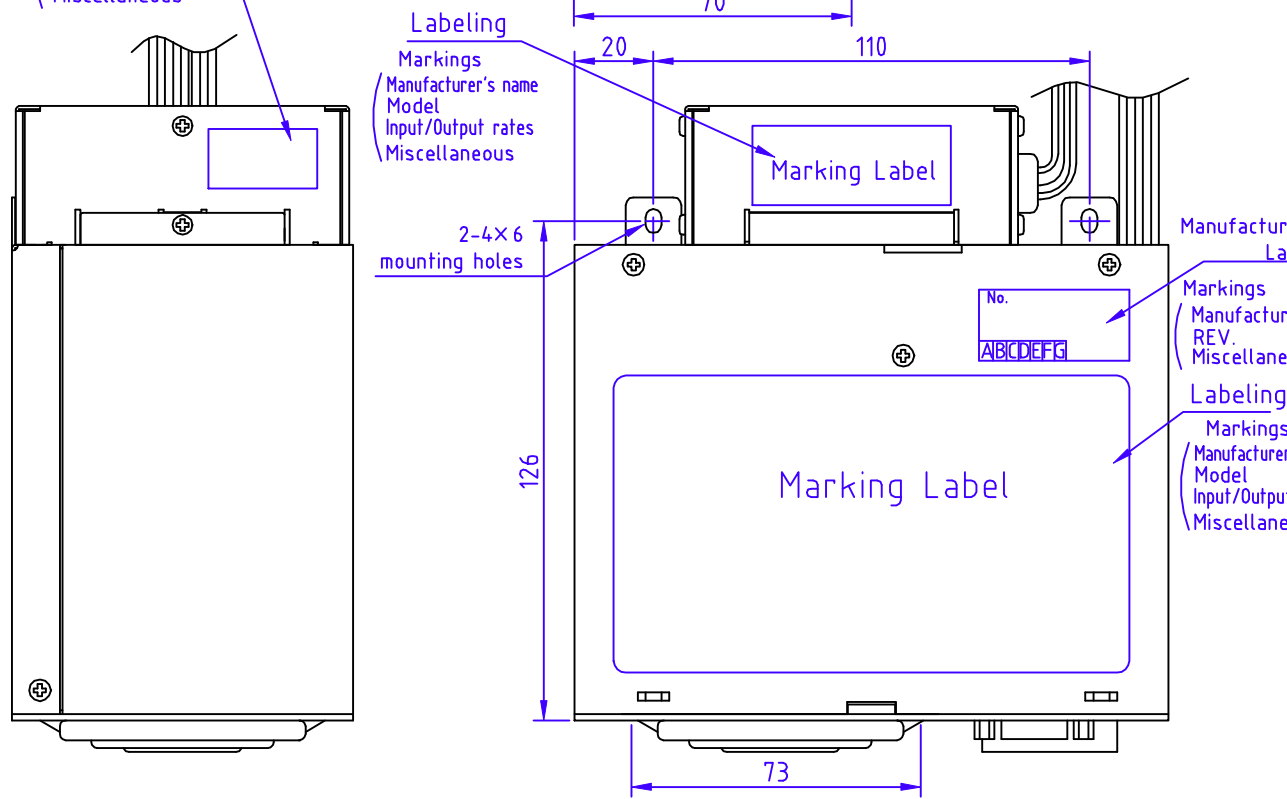
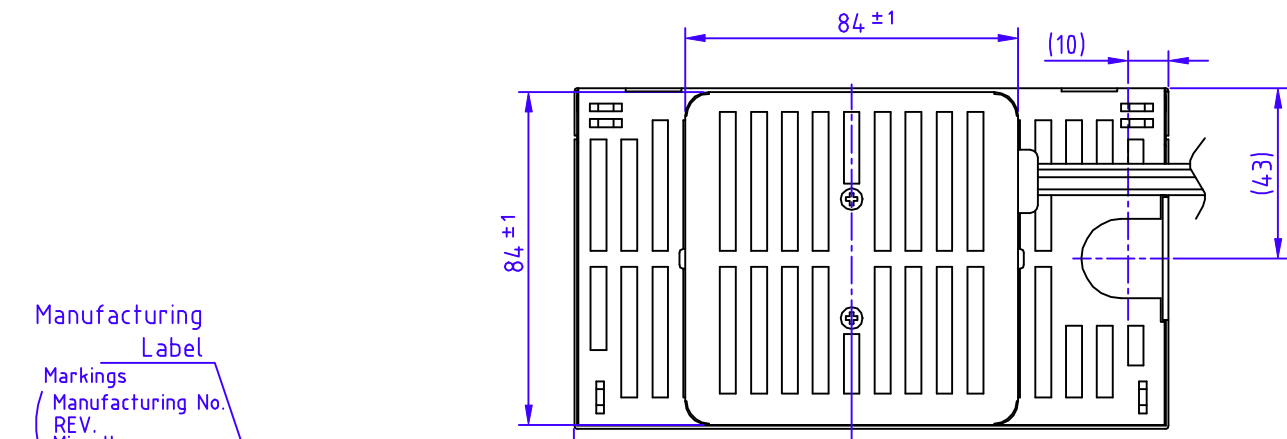


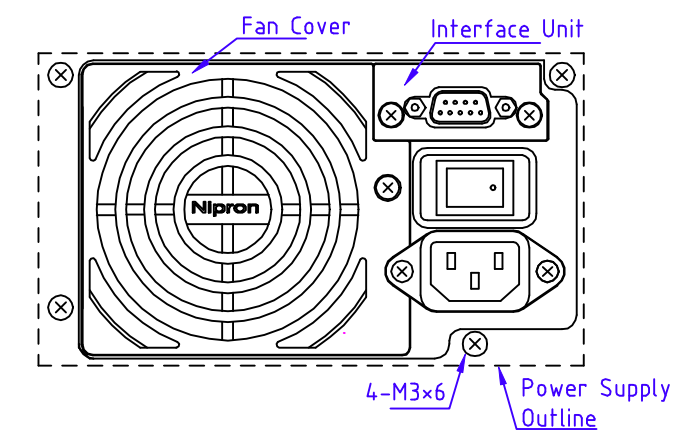
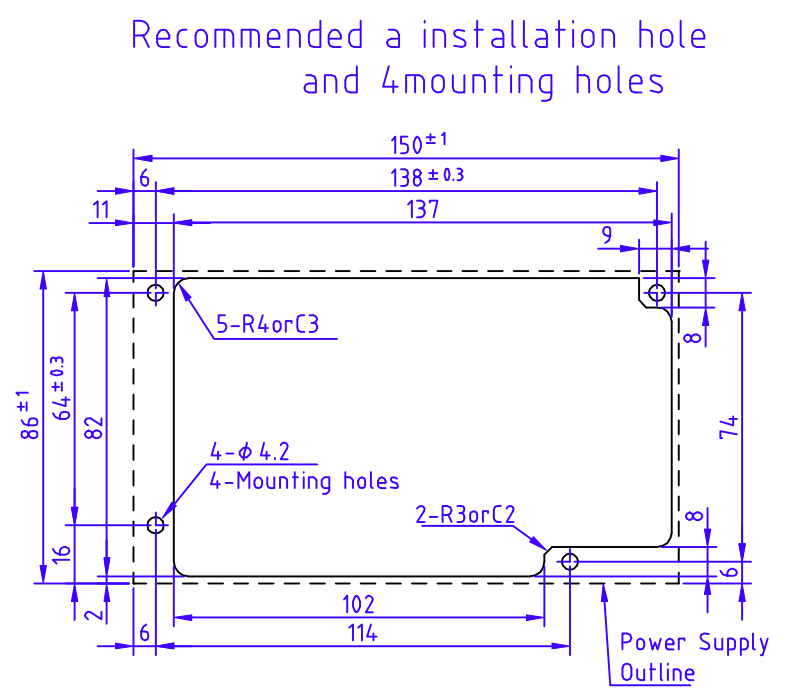


Sunpower (UK) Ltd
 Orion House
 Calleva Park
 Aldermaston
 Berkshire
 RG7 8SN
 Tel: +44 (0)118 981 1001
 Fax: +44 (0)118 981 2002
 E-mail: sales@sunpower-uk.com



NAME	TYPE
AC INLET	IEC320Standard type
POWER SWITCH	A8L-21-12N2(OMRON) or equivalent
FAN	DC12V 80□
D-sub conector	JEY-9P-1A0A(JST) or equivalent

Tolerance ± 0.5 unless otherwise noted



Installation hole and mounting screw holes(4pcs) are required, if replacement of a fan and to add or replace interface unit are necessary under the installed power supplr on the personal computer case.

DRAWN BY	CHECKED BY	CHECKED BY	APPROVED BY	SCALE	1:1	MATERIALS	TITLE	eNSP-300P-S2* -11*
				UNITS	m/m	FINISH		
ISSUED	2002. 10. 3			3RD ANGLE PROJECTION			DRAWING NO.	2722-01-3-550