



Sunpower (UK) Ltd  
Orion House  
Calleva Park  
Aldermaston  
Berkshire  
RG7 8SN

Tel: +44 (0)118 981 1001  
Fax: +44 (0)118 981 2002  
E-mail: sales@sunpower-uk.com

# SDS-100M-xx Series

**100W, Single Output**  
**24V / 48V DC INPUT**



159 x 95 x 38 mm  
6.26 x 3.74 x 1.50 inch



## Features:

- \* DC Input 19V ~ 72V
- \* Input protection: 10A/125V fuses
- \* Inrush current limitation soft start function
- \* Input & output isolation
- \* Input polarity reverse protection
- \* Over voltage, over load & short circuit protection
- \* Output voltage  $\pm 10\%$  adjustment
- \* 100% full load burn-in test
- \* -20°C to 70°C operating temperature
- \* Meet LVD standard

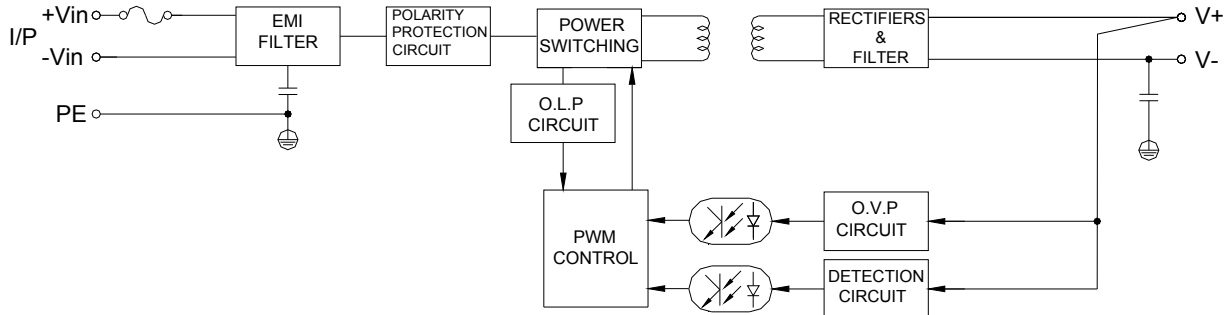
## Specification:

INPUT	Voltage	DC 19V ~ 72V				
	Current	2.7A max at 48V DC input, full load condition				
OUTPUT	Voltage	<b>5V</b>	<b>12V</b>	<b>24V</b>	<b>36V</b>	<b>48V</b>
	Min Load	0A	0A	0A	0A	0A
	Max Load	16A	8.4A	4.2A	2.8A	2.1A
	Output Tolerance ②	$\pm 2\%$	$\pm 1\%$	$\pm 1\%$	$\pm 1\%$	$\pm 1\%$
	Ripple Noise MAX. ③	70mV	120mV	200mV	240mV	240mV
	Efficiency (TYP)	79%	84%	86%	86%	88%
PROTECTION	Output MAX.	80W	101W	101W	101W	101W
	Over Voltage	5.8~7.0V	13.8~16.8V	27.6~33.6V	41.4~50.4V	55.2~67.2V
	Shutdown and latch off, recover after re-start up.					
	Over Load & Short Circuit	When power supply over 105%~ 150% max load or short circuit acted, power supply will be shutdown and recover automatically after the fault is removed.				
ELEC. CHAR.	Rise time	<20mS				
ENVIRONMENT	Temperature ④	Operating: -20 ~ +70°C ; De-rating: 45 ~ 70°C : 2.5%/°C ; Storage: -40 ~ +85°C				
	Humidity	Operating: 20% ~ 85%; Storage: 10% ~ 95% (non condensing)				
SAFETY	Withstand voltage	I/P-O/P:2.0KVAC, I/P-PE:1.5KVAC, O/P-PE:0.5KVAC, 1minute				
	Isolation resistance	I/P-O/P, I/P-PE, O/P-PE > 100MΩ/500VDC at 25°C/ 70% RH				
EMC	EMI	EN 55022 CLASS B 、FCC CFR 47 PART 15 CLASS B 、CNS 13438 CALSS B.				
	EMS	EN 55024 : EN 61000-4-2,3,4,6,8 ; ENV 50204				
OTHERS	Cooling	Natural cooling				
	M.T.B.F.	254 K hours				
	Dimension	159 x 95 x 38 mm (L*W*H)				
	Packing	N.W.: 0.69 Kg / 1pc; 24pcs / 1.20 CUFT / 1 CTN				

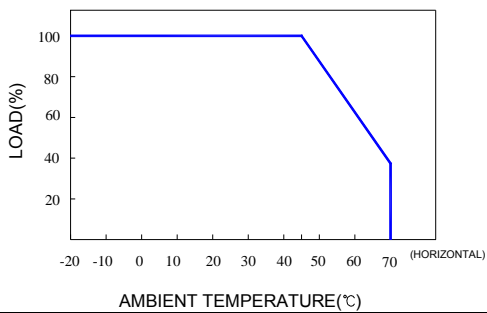
- NOTE
- ① All measurements which not mentioned are based on 48VDC input, **output Max** at ambient 25°C / 70%RH
  - ② Output tolerance included set up voltage, line regulation and load regulation.
  - ③ Ripple & noise are measured at 21~72VDC input with 0~50°C condition and 20MHz of bandwidth by using a 10" ~ 15" twisted pair-wire terminated with a 0.1uF & a 47uF parallel capacitor.
  - ④ The operating temperature shall follow the de-rating curve in spec
  - ⑤ The power supply is considered a component of end-equipment. The end-equipment must be re-confirmed whether comply with EMC directives.

# SDS-100M-xx Series

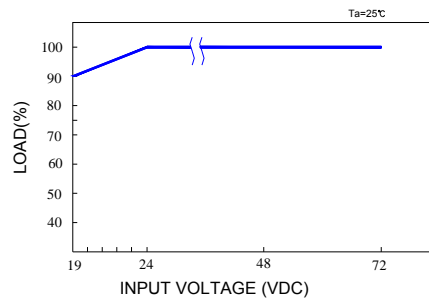
## Block Diagram : DS2



## De-rating Curve :

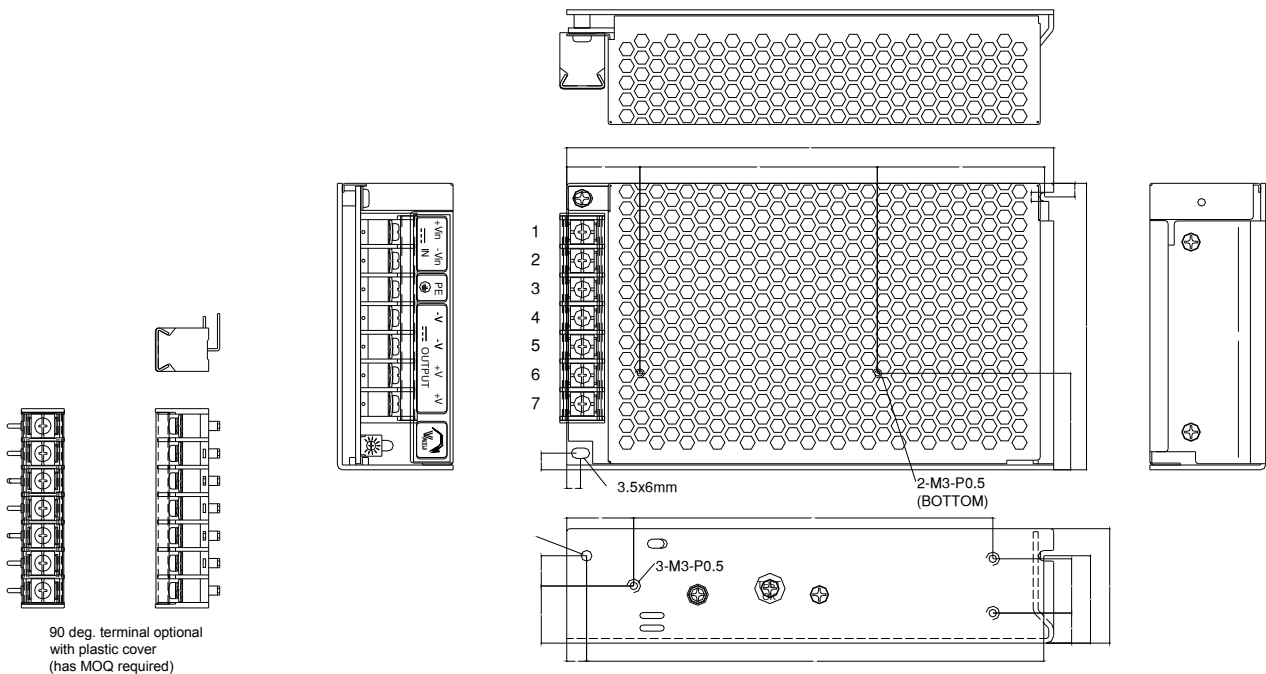


## Output De-rating Vs Input Voltage :



## Dimension:

(Unit: mm)



90 deg. terminal optional  
 with plastic cover  
 (has MOQ required)

## NOTES:

7P, PITCH 9.5mm WITH PC COVER							
MODEL No.	1	2	3	4	5	6	7
SDS-100M-xx	+Vin	-Vin	PE	-V	-V	+V	+V