

PCV12-20W Series

12W & 20W Constant Voltage Power Supplies



Case: 8045FC - 98 x 39 x 22 mm
Case: 8911BV - 130 x 44 x 28mm

Features

- Captive terminal screws for ease
- Snap lock cable strain relief
- Over load, short circuit and thermal protection
- SELV equivalent
- Class II product
- RI suppression in accordance with EN55015
- Suitable for indoor lighting applications

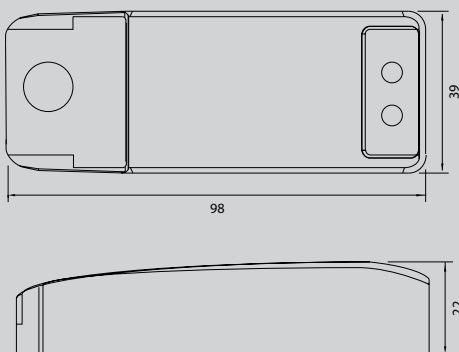


Specification

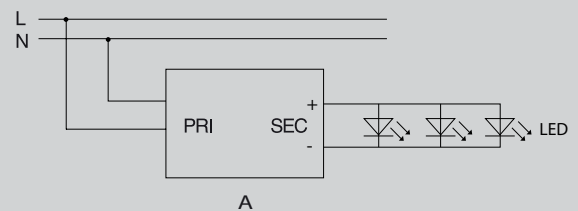
INPUT	Voltage	220V ~ 240VAC			
	Frequency	47 ~ 63 Hz			
	Power Factor	0.80			
OUTPUT	MODEL No.	PCV1212	PCV2412	PCV1220	PCV2420
	Voltage	12V	24V	12V	24V
	Current	0-1.0A	0-0.5A	0-1.7A	0-0.83A
	Power	12W	12W	20W	20W
	R&N	400mV	600mV	450mV	750mV
	Efficiency (TYP.)	80%	82%	82%	84%
PROTECTION	Over Load	Auto Recovery			
	Over Temperature	Thermal			
ENVIRONMENT	Temperature	Operating: -20 ~ +50°C; Storage: -20~ +70°C			
SAFETY & EMC	Safety Standard	Design refers to EN61347-1, EN61347-2-13			
	EMI Standard	Meets Emissions to EN55015, EN61547, EN61000-3-2, EN61000-3-3			
OTHERS	Lifetime	50K hrs full load 25°C			
	Packing	N.W.:0.06Kg / 1pc; 100pcs / 8Kgs 0.47CUFT / 1 CTN			
	Case	8045FC	8045FC	8911BV	8911BV

Dimensions

Case: 8045FC Unit: mm



LED Configuration



PCV12-20W Series

12W & 20W Constant Voltage Power Supplies



Q4 2013 Mechanical Diagram

