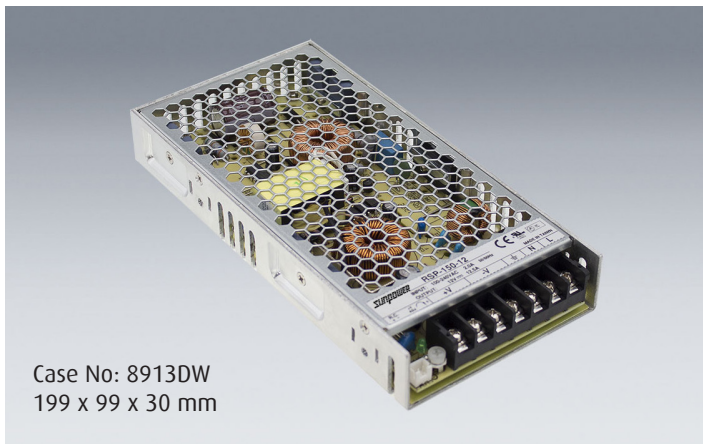


# RSP-150 Series

## 150W 1U Single Output Enclosed Power Supplies



### Features

- Universal AC input / Full range
- Built-in active PFC function
- Protections: Short circuit / Overload / Over Voltage / Over temperature
- Cooling by free air convection
- Built-in constant current limiting circuit
- 1U low profile 30mm
- Remote ON-OFF control
- LED indicator for power on
- 100% full load burn-in test
- 3 years warranty



### Specification

INPUT	<b>Voltage</b>	85V ~ 264VAC 120 ~ 370VDC								
	<b>Frequency</b>	47 ~ 63 Hz								
	<b>Power Factor</b>	PF>0.93/230VAC PF>0.98/115VAC at full load								
	<b>Efficiency</b>	81.5%	87%	88.5%	90%	87.5%	88.5%	89%	89.5%	90%
	<b>Current</b>	<1.6A@115VAC; 0.8A@230VAC input, full load								
	<b>Inrush Current (Typ.)</b>	Cold Start 40A/230VAC								
	<b>Leakage Current</b>	<2mA@240V								
OUTPUT	<b>MODEL No.</b>	<b>RSP-150-3.3</b>	<b>RSP-150-5</b>	<b>RSP-150-7.5</b>	<b>RSP-150-12</b>	<b>RSP-150-13.5</b>	<b>RSP-150-15</b>	<b>RSP-150-24</b>	<b>RSP-150-27</b>	<b>RS-150-48</b>
	<b>Voltage</b>	3.3V	5V	7.5V	12V	13.5	15V	24V	27V	48V
	<b>Rated Current</b>	30A	30A	20A	12.5A	11.2A	10A	6.3A	5.6A	3.2A
	<b>Current Range</b>	0~30A	0~30A	0~20A	0~12.5A	0~11.2A	0~10A	0~6.3A	0~5.6A	0~3.2A
	<b>Rated Power</b>	99W	150W	150W	150W	151.2W	150W	151.2W	151.2W	153.6W
	<b>Ripple Noise MAX.</b>	100mVp-p	100mVp-p	100mVp-p	100mVp-p	100mVp-p	100mVp-p	150Vp-p	150mVp-p	250Vp-p
	<b>Voltage Adj. Range</b>	3.14~3.63V	4.75~5.5V	7.13~8.25V	11.4~13.2V	12.8~14.9V	14.3~16.5V	22.8~26.4V	25.7~29.7V	45.6~52.8V
	<b>Voltage Tolerance</b>	± 2.0%	± 2.0%	± 2.0%	± 2.0%	± 2.0%	± 2.0%	± 1.0%	± 1.0%	± 1.0%
	<b>Line Regulation</b>	± 0.5%	± 0.5%	± 0.5%	± 0.5%	± 0.5%	± 0.5%	± 0.5%	± 0.5%	± 0.5%
	<b>Load Regulation</b>	± 1.0%	± 1.0%	± 1.0%	± 0.5%	± 0.5%	± 0.5%	± 0.5%	± 0.5%	± 0.5%
	<b>Setup Rise Time</b>	600ms, 30ms at full load								
<b>Holdup Time (Typ.)</b>	16ms at full load									
PROTECTION	<b>Overload</b>	105~135% rated output power Protection Type: Constant current limiting, recovers automatically after fault condition is removed								
	<b>Over Voltage</b>	3.63~4.46V	5.5~6.75V	8.25~10.13V	13.2~16.2V	14.85~18.2V	16.5~20.25V	26.4~32.4V	29.7~36.45V	52.8~64.8V
	<b>Over Temperature</b>	100° C ± 5° C (TSW1) detect on main power transformer for 3.3V~7.5; 105° C ±(TSW1) detect on main power transformer for others Protection Type: Shut down o/p voltage, recovers automatically after temperature goes down								
FUNCTION	<b>Remote Control</b>	CN1: <0~0.8VDC Power on, 4~10VDC Power Off								
	<b>Working Temp.</b>	-30~+70° C (Refer to "Derating Curve")								
ENVIRONMENT	<b>Working Humidity</b>	20~90% RH non-condensing								
	<b>Storage Temp., Humidity</b>	-20~+85° C, 10~95%RH								
	<b>Temp. Co-efficient</b>	±0.05% / °C (0~50° C)								
	<b>Vibration</b>	10~500Hz, 2G 10min./1cycle, 60min. each along X, Y, Z axes								
SAFETY	<b>Withstand Voltage</b>	I/P-O/P:3.75KVAC I/P-FG:2KVAC O/P-FG:0.5KVAC								
	<b>Isolation Resistance</b>	I/P-OP, I/P-FG, O/P-FG:100M Ohms / 500VDC / 25° C/70% RH								
	<b>Safety Standards</b>	UL60950-1, UL62368-1, TUV EN60950-1, EN61558-1, EN61558-2-16, CCC GB4943 approved								
EMC	<b>EMC Emission</b>	Compliance to EN55022 (CISPR22) Class B, EN61000-3-2-3, GB9254 class B								
	<b>EMC Immunity</b>	Compliance to EN61000-4-2,3,4,5,6,8,11, EN55024, light industry level, criteria A								
OTHERS	<b>M.T.B.F.</b>	K hrs min. MIL-HDBK-217F (25° C)								
	<b>Packaging</b>	0.6Kg; 24pcs/15.4Kg/1.01CUFT								

1. All measurements which not mentioned are based on 230VAC input, output Max at ambient 25° C / 70%RH
2. Ripple & noise are measured at 20MHz of bandwidth by using a 12" twisted pair-wire terminates with a 0.1uf & 47uf parallel capacitor
3. Tolerance: Includes set up tolerance, line regulation and load regulation
4. The power supply is considered a component of end-equipment. The end-equipment must be re-confirmed whether comply with EMC directives.
5. Derating may be needed under low input voltages. Please check the derating curve for more details

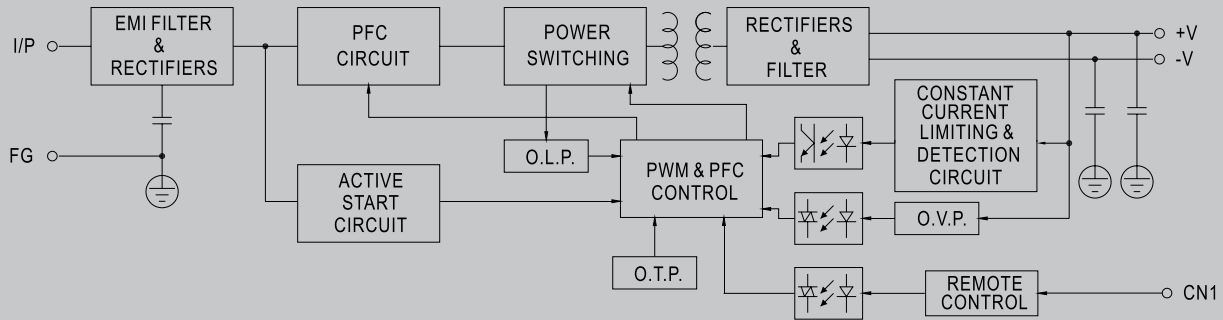
Please see next page for more notes

# RSP-150 Series

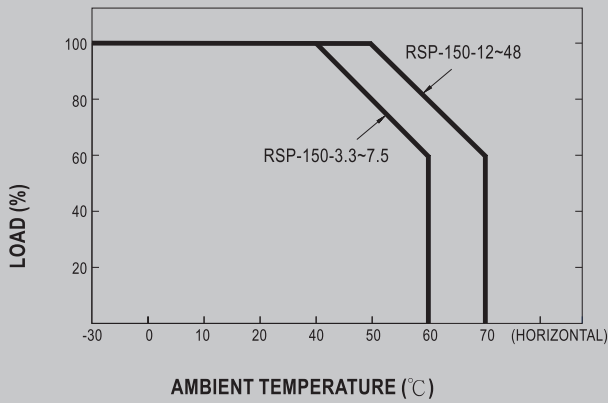
150W 1U Single Output Enclosed Power Supplies



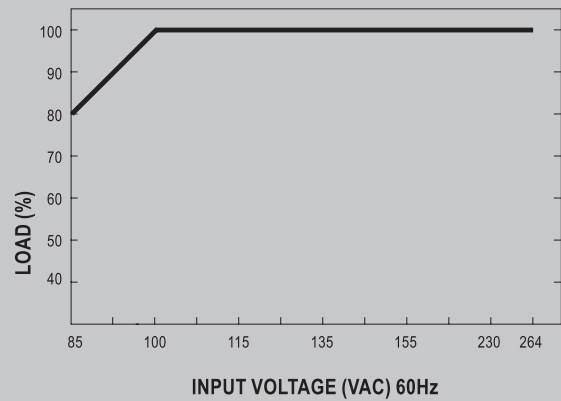
## Block Diagram



## De-Rating Curve



## Static Characteristics



## Dimensions

### Terminal Pin No. Assignment

Pin No.	Assignment	Pin No.	Assignment
1	AC/L	4,5	DC OUTPUT -V
2	AC/N	6,7	DC OUTPUT +V
3	FG $\perp$		

### Remote ON/OFF (CN1): JST B-XH or equivalent (optional)

Pin No.	Assignment	Mating Housing	Terminal
1	RC+	JST XHP or equivalent	JST SXH-001T or equivalent
2	RC-		

