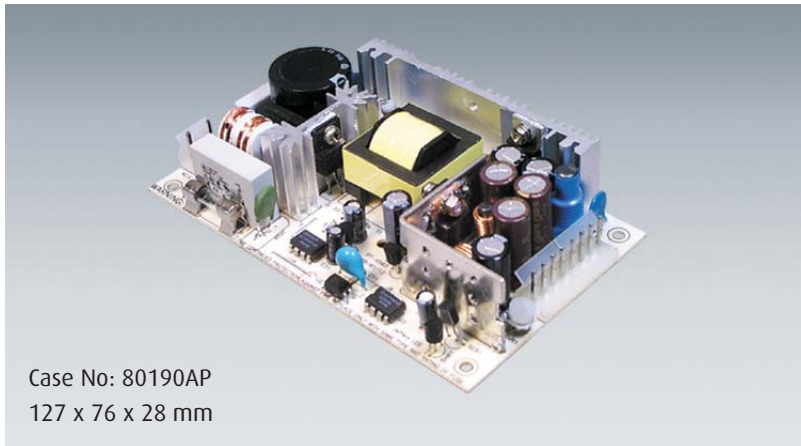


PT-4503

45W Triple Output Switching Power Supply



Features

- Universal AC input/ Full range
- Protections: Short circuit, Overload and Over voltage
- Cooling by free convection
- 100% full load burn-in test
- Fixed switching frequency at 65KHz



Specification

INPUT	Voltage	90V ~ 264VAC universal full range or 127V ~ 370VDC.		
	Frequency	47 -----63 Hz		
	Current	<1.2A@115VAC; 0.7A@230VAC full load		
	Inrush Current	20A@115VAC; 40A@230VAC cold start		
	Leakage Current	<1 mA @ 240VAC		
MODEL No.		PT-4503		
OUTPUT	Channel No.	CH1	CH2	CH3
	Voltage	3.3V	5V	12V
	Rated Current	4A	4A	1A
	Current Range	0~5A	0.2~7A	0~1.2A
	Output Tolerance	± 2%	+4,-2%	± 8%
	Line Regulation	± 1%	± 1%	± 2%
	Load Regulation	± 2%	± 2%	± 8%
	Ripple Noise MAX.	50mV	50mV	100mV
	Efficiency (TYP.)	72%		
	Rated Power	Total power max. 45.2W (CH1+CH2 max. 50W)		
PROTECTION	Over Voltage	CH1: 5.75~6.75VDC on +5V Hiccup mode, recovers automatically after fault condition is removed		
	Over Load	120~160% rated output power Hiccup mode, recovers automatically after fault condition is removed		
ELEC. CHAR.	Rise Time	50mS at full load		
	Hold up Time	60mS at full load		
	Setup Time	0.8 Sec at full load		
ENVIRONMENT	Temperature	Operating: -10 ~ +60°C ; Storage: -20~ +85°C		
	Humidity	Operating: 20% ~ 90% RH (non condensing); Storage: 10% ~ 95% RH		
SAFETY	Withstand Voltage	I/P-O/P:3KVAC; I/P-FG:1.5KVAC; O/P-FG:0.5KVAC		
	Isolation Resistance	I/P-O/P, I/P-FG, O/P-FG 100MΩ/500VDC		
	Safety Standard	UL60950-1, TUV EN60950-1 Approved		
EMC	EMI	EN55022 (CISPR22) class B, EN61000-3-2,3		
	EMS	EN61000-4-2,3,4,5,6,8,11; light industry level, criteria A		
OTHERS	Cooling	Cooling by free air convection		
	M.T.B.F.	220.9K hrs min. MIL-HDBK-217F (°C)		
	Packing	0.23Kg; 72pcs/17.6Kg/1.35 CUFT		

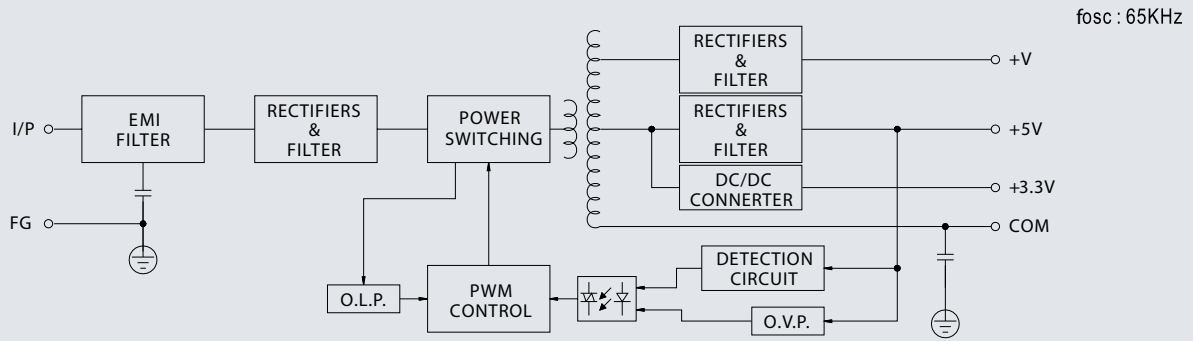
- 1 All parameters NOT specially mentioned are measured at 230VAC input, rated load and 25°C of ambient temperature
- 2 Ripple & noise are measured at 20MHz of bandwidth by using a 12" twisted pair-wire terminated with a 0.1uF & 47uF parallel capacitor
- 3 Tolerance: includes set up tolerance, line regulation and load regulation
- 4 The power supply is considered a component which will be installed into final equipment. The final equipment must be re-confirmed that it still meets EMC directives
- 5 Mounting holes M1 and M2 should be grounded for EMI purposes
- 6 Heat sink HS1, HS2 can not be shorted

PT-4503

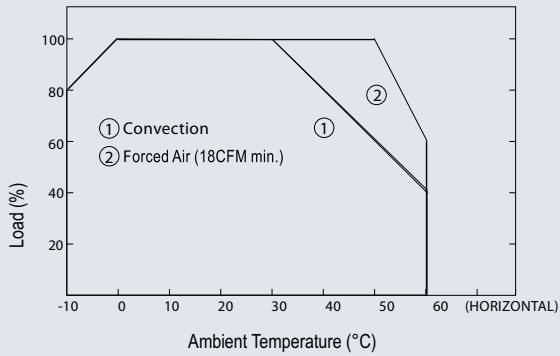
45W Triple Output Switching Power Supply



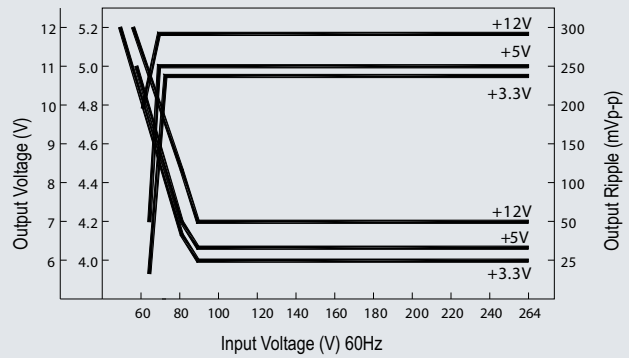
Block Diagram



De-Rating Curve



Static Characteristic



Dimensions

AC Input Connector (CN1): Molex 5277-02 or equivalent

Pin No.	Assignment	Mating Housing	Terminal
1	AC/N	Molex 5195 or equivalent	Molex 5194 or equivalent
2	AC/L	Molex 5195 or equivalent	Molex 5194 or equivalent

DC Output Connector (CN2): Molex 5273-08 or equivalent

Pin No.	Assignment	Mating Housing	Terminal
1	+5V	Molex 5195 or equivalent	Molex 5194 or equivalent
3,4,5	COM	Molex 5195 or equivalent	Molex 5194 or equivalent
6	+V	Molex 5195 or equivalent	Molex 5194 or equivalent
7,8	+3.3V	Molex 5195 or equivalent	Molex 5194 or equivalent

