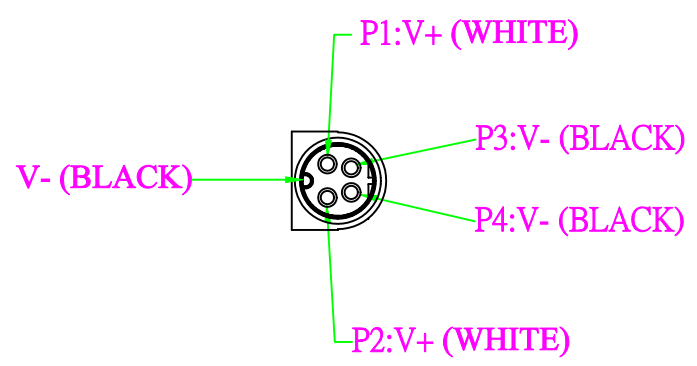
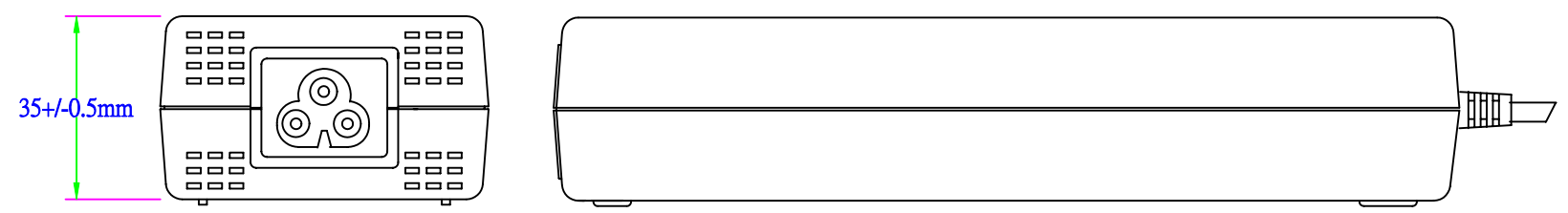
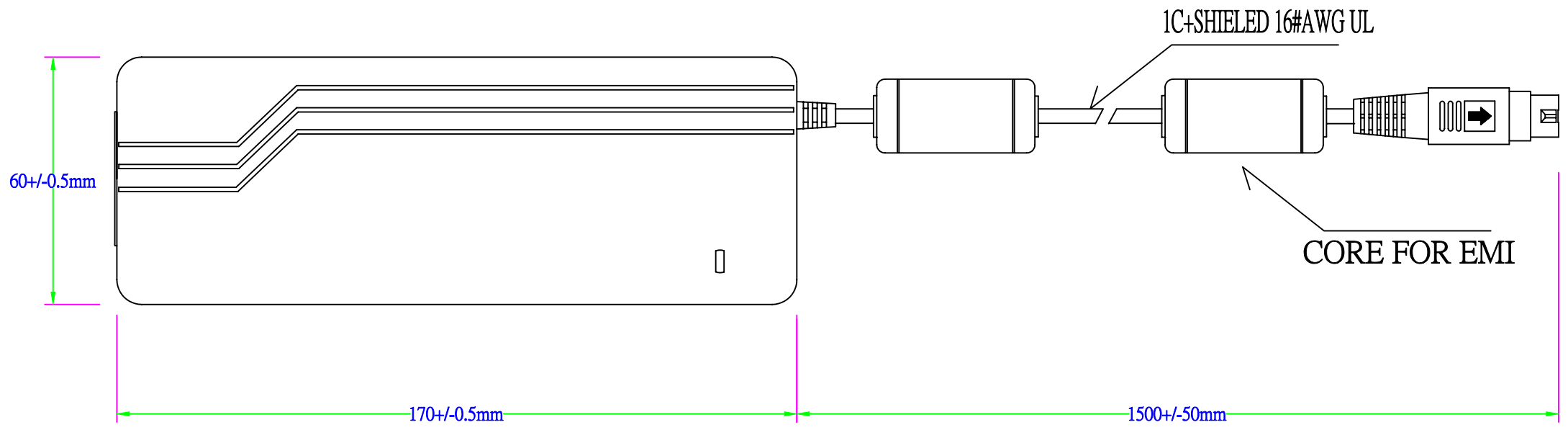



■ Features:

- Active PFC
- CEC Efficiency Regulations Compliance(Optional)
- RoHS Compliance
- IEC320 C6 (3PIN)
- With Fan Speed Control Cooling
- Over Voltage Protective Installation
- Over Current Protective Installation
- Protection Type: Auto-Recovery
- Application: POS,LCD, Printer,IT, Scanner,NB

SPECIFICATION

Model	EA11203	EA11203A	EA11203B
Item			
Output Voltage	20V	12V~17V	18V~24V
Output Rating (Max.)	120W	110W	120W
Output Current (Max.)	6A	8.5A	6A
Input Voltage (Limit)	AC 90~264V		
Input Frequency	47~63Hz		
Line Regulation	1% Max.		
Load Regulation	+/- 5%		
Ripple & Noise	1.5% Max.	2% Max.	1.5% Max.
Efficiency	85% Typical	82% Typical	85% Typical
Active PFC	Yes		
Over Voltage Protection	Yes		
Over Current Protection	Yes		
Operating Temperature	0~40°C		
Storage Temperature	-20 C~85°C		
Class or Class	Class		
Safety Standards	UL60950, EN60950-1, IEC60950		
Safety/EMC	UL/CUL, TUV, EK, PSE, CCC, CE, CB	UL/CUL(12V,17V), TUV, PSE, CCC, CE, CB	UL/CUL(18V,20V,24V), TUV, PSE, CCC, CE, CB
MTBF	30,000 hours		
LED Indication	Yes		
Dimension	170L x 60W x 35Hmm		
Approx. Weight	510 grams		
Standard Plug	4 Pin Din		



Sunpower (UK) Ltd
 Orion House, Calleva Park,
 Aldermaston, Berkshire, RG7 8SN
 Tel: +44 (0)118 981 1001
 Fax: +44 (0)118 981 2002
 E-mail: sales@sunpower-uk.com

SUNPOWER UK LTD				APPROVED
MODEL	EA1120	UNIT	mm	DESIGNED
color	BLACK	SCALE		CHECK
cus.		DATE	MAR.13,2002	DRAWING L.J.YU