

# EA1015 Series

10~15W AC-DC Wall Mount UK Plug



Case No: 8030AQ  
70 x 48 x 37 mm

## Features

- CEC Compliance
- RoHS compliance
- UK AC plug
- Over voltage and short circuit protection
- Protection Type: Auto recovery
- MTBF: >30,000 hours



## Specification

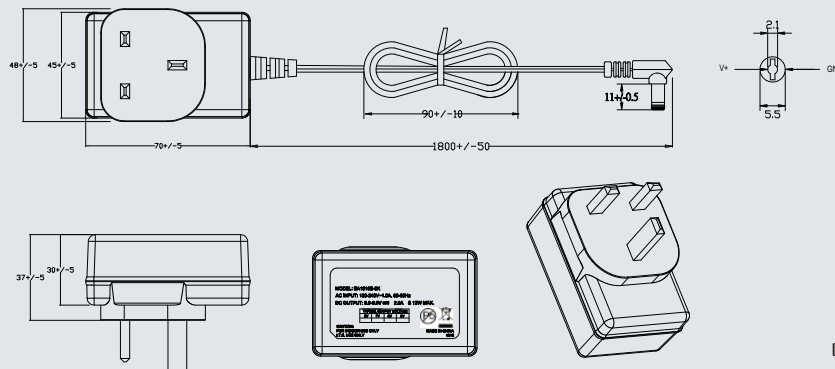
<b>INPUT</b>	<b>Voltage</b>	90~264VAC universal full range					
	<b>Frequency</b>	47 ----- 63 Hz					
	<b>Current</b>	<1.0A@115VAC; 0.5A@230VAC input, full load					
	<b>Inrush Current</b>	<20A@115V , <40A@230V AC input, Cold start at 25°C ambient					
<b>OUTPUT</b>	<b>MODEL No.</b>	<b>EA1015A-5</b>	<b>EA1015B-9</b>	<b>EA1015C-12</b>	<b>EA1015C-15</b>	<b>EA1015D-18</b>	<b>EA1015D-24</b>
	<b>Voltage</b>	5V	9V	12V	15V	18V	24V
	<b>Rated Current</b>	2A	1.3A	1.25A	1A	0.83A	0.625A
	<b>Line Regulation</b>	± 1%					
	<b>Load Regulation</b>	± 5%					
	<b>Ripple Noise MAX.</b>	100mV	180mV	240mV	250mV	285mV	350mV
	<b>Efficiency (TYP.)</b>	73.37%	77.7%	79.26%	79.26%	79.24%	79.26%
	<b>Power</b>	10W	12W	15W	15W	15W	15W
<b>PROTECTION</b>	<b>Over Voltage</b>	Auto-recovery					
	<b>Short Circuit</b>	When the power supply is over 105%~ 150% max load or short circuited it will go into hiccup mode and recover automatically after the fault is removed.					
<b>ENVIRONMENT</b>	<b>Temperature</b>	Operating: -0 ~ +40°C; Storage: -20~ +85°C					
	<b>Humidity</b>	Operating: 5% ~ 95% RH					
<b>SAFETY</b>	<b>Safety Standard</b>	UL60950-1; TUV EN60950-1; IEC60950-1 Approved					
<b>OTHER</b>	<b>Cooling</b>	Natural cooling					
	<b>M.T.B.F.</b>	30K hrs min. MIL-HDBK-217F (°C)					

1 Ripple & noise are measured at 20MHz of bandwidth by using a 12" twisted pair-wire terminates with a 0.1uf & 47uf parallel capacitor

2 Line regulation is defined by changing ±10% of input voltage from nominal line at rated load

3 Max output power (W) ≥Vo x Io

## Dimensions



DC Tip Dimensions: 5.5 x 2.1 mm