

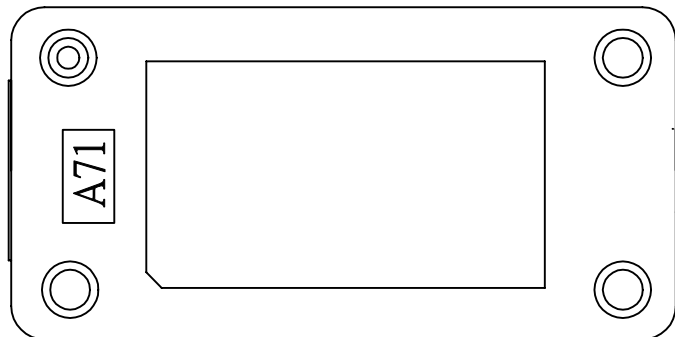
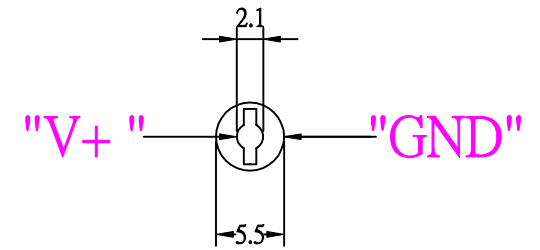
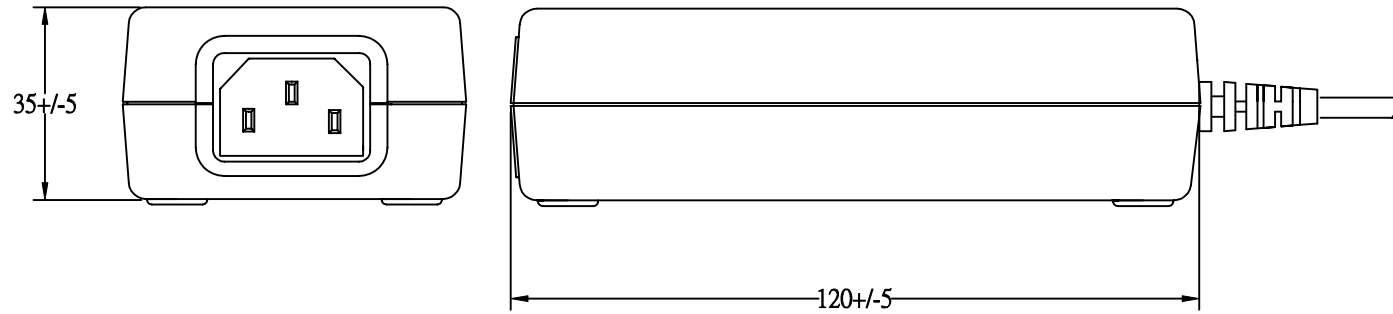
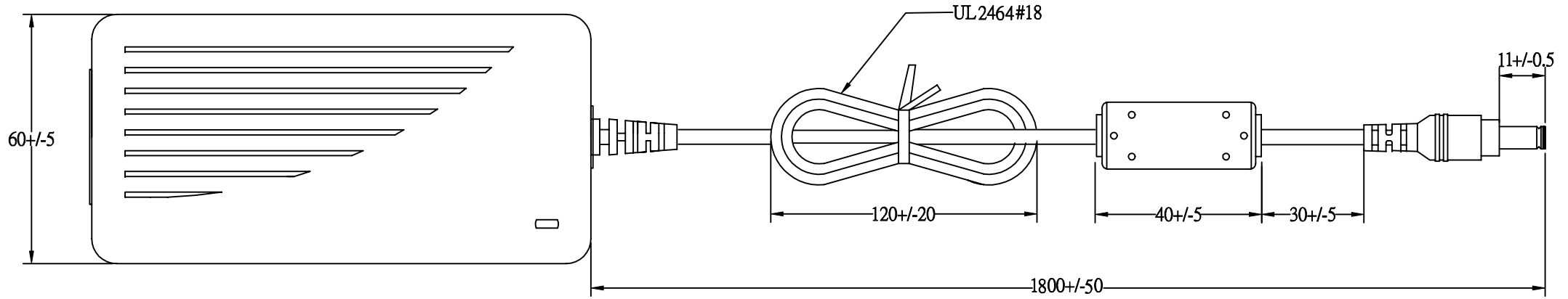


- Features:
- ☑ Economy Type
- ☑ CEC Efficiency Regulations Compliance(Optional)
- ☑ RoHS Compliance
- ☑ IEC320 C14 (3PIN)
- ☑ Over Voltage Protective Installation
- ☑ Over Current Protective Installation
- ☑ Protection Type: Auto-Recovery
- ☑ Application: POS,LCD, Printer,IT, Scanner,NB...

SPECIFICATION

Model	EA1050A	EA1050B	EA1050C	EA1050D	EA1050E	EA1050F	EA1050G
Output Voltage	12~17V	18V~24V	12~17V	18V~24V	12~17V	12~17V	12~17V
Output Rating (Max.)	60W	60W	50W	50W	42W	36W	30W
Output Current (Max.)	5A	3.3A	4.2A	2.8A	3.5A	3A	2.5A
Input Voltage (Limit)	AC 90~264V						
Input Frequency	47~63Hz						
Line Regulation	1% Max.						
Load Regulation	+/- 5%						
Ripple & Noise	1.2% Max.						
Efficiency	78% Typical	82% Typical	78% Typical	82% Typical	78% Typical	78% Typical	78% Typical
Over Voltage Protection	Yes						
Over Current Protection	Yes						
Operating Temperature	0~40°C						
Storage Temperature	-20°C~85°C						
Class or Class	Class						
Safety Standards	UL60950-1, EN60950-1, IEC60950-1						
Safety(1)/EMC	UL/CUL,TUV,BSMI,PSE,CCC,DoIR+C-Tick,CE,FCC						
Safety(2)/EMC	EK	----	EK,PSB	----	EK	EK	EK
Safety Standards	UL60065, EN60065, IEC60065						
Safety/EMC	UL/CUL,TUV,BSMI,CCC,FCC						
MTBF	30,000 hours						
LED Indication	Yes						
Dimension	121L x60W x 34.5H mm						
Approx. Weight	280 grams						
Standard Plug	2.1 x 5.5 x 11mm						

UL/CUL,TUV,BSMI,PSE,CCC,DoIR+C-Tick,CE,FCC



SUNPOWER				APPROVED
MODEL	EA1050A(71)	UNIT	mm	DESIGNED
color	BLACK	SCALE		CHECK
cus.		DATE	2006-10-12	DRAWING L.J.YU