

DR-UPS40

40A DC DIN Rail UPS Power Supply



Case No: 8019KK
55.5 x 125.2 x 100 mm

Features

- Battery controller for DIN Rail UPS System
- Parallel connection to DC BUS
- Suitable for 24V system up to 40A
- Installed on DIN Rail TS35/7.5 or 15
- Built-in battery test function
- Battery polarity protection
- Relay contact signal output and LED indicator for DC BUS OK, Battery Fail and Battery Discharge
- Cooling by free air convection



Specification

DC INPUT/	Voltage	24~29V
DC BUS	Rated Current	40A
BATTERY/ INPUT/ OUTPUT	Voltage	21~29V
	Current Range	0~40A
	Charge Current	2A
	External Battery	4/7/12AH/24V
	Relay Contact Rating	30VDC, 1A
	DC Bus OK	Relay contact: Short when DC voltage between 21~29V ($\pm 3\%$), relay contacts LED (Green): DC BUS OK: Light ON, DC BUS Fail: Light OFF
FUNCTION	Battery Fail	Relay contact: Short when battery failure is observed through the battery test function, relay contacts LED (Red): Battery over-discharge warning or battery broken: Light ON; Battery OK: Light OFF
	Battery Discharge	Relay contact: Short when battery in discharge condition, relay contacts LED (Yellow): Battery discharging: Light ON; Battery is not discharging or discharging current $< 2.0A$: Light OFF
ENVIRONMENT	Temperature	Operating: $-20 \sim +70^{\circ}\text{C}$; Storage: $-20 \sim +85^{\circ}\text{C}$
	Humidity	Operating: 20% ~ 90% RH; Storage: 10% ~ 95% RH (non condensing)
SAFETY	Withstand Voltage	Terminal-Chassis: 0.5KVAC, Relay Contacts-Terminal: 0.5KVAC
	Isolation Resistance	Terminal-Chassis: $> 100M \text{ Ohms}/500\text{VDC}/25^{\circ}\text{C}/70\% \text{ RH}$
EMC	EMI	EN55022 (CISPR22) Class B, EN61000-3-2,3
	EMS	EN61000-4-2,3,4,5,6,8,11, Heavy Industry Level, Criteria A
OTHERS	Cooling	Natural cooling
	M.T.B.F.	161.9K hrs min. MIL-HDBK-217F (25°C)
	Packing	0.55Kg; 20pcs/12Kg/1.29 CUFT

1 All parameters NOT specially mentioned are measured at 400VAC input, rated load and 25°C of ambient temperature

2 Every 25 seconds, unit will send out a test signal through the "Battery Fail" relay contact, if a failure is found the LED indicator will come on

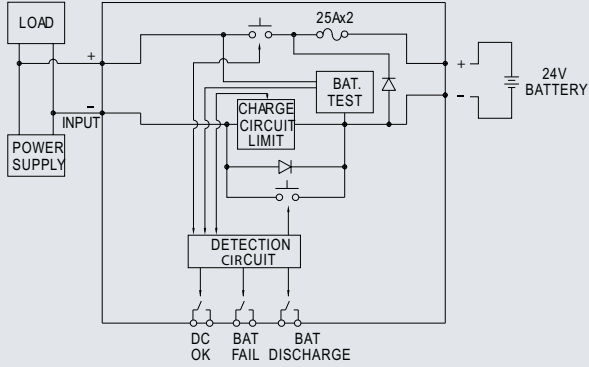
3 The power supply is considered a component of end-equipment. The end-equipment must be re-confirmed whether comply with EMC directives.

DR-UPS40

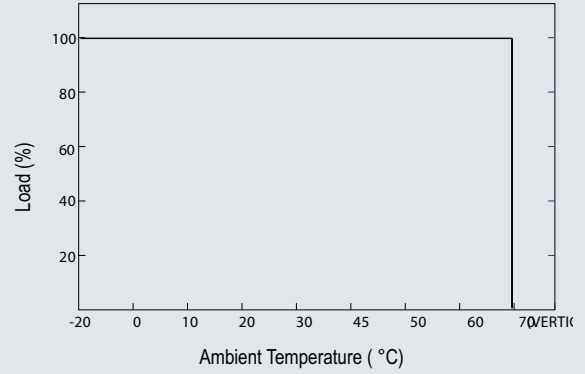
40A DC DIN Rail UPS Power Supply



Block Diagram



De-Rating Curve



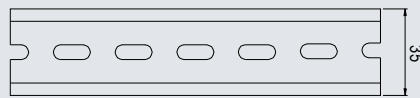
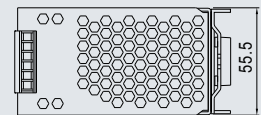
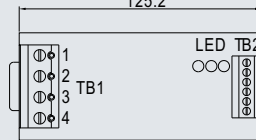
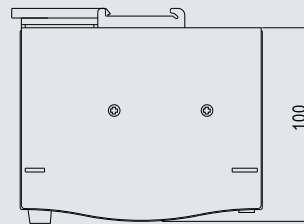
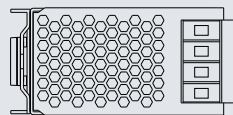
Dimensions

Terminal Pin. No Assignment: (TB1)

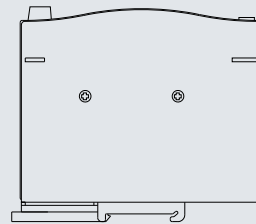
Pin No.	Assignment
1	BATTERY INPUT +
2	BATTERY INPUT -
3	DC INPUT -
4	DC INPUT +

Terminal Pin. No Assignment: (TB2)

Pin No.	Assignment
1	BAT DISC 1
2	BAT DISC 2
3	BAT FAIL 1
4	BAT FAIL 2
5	DC OK 1
6	DC OK 2



ADMISSIBLE DIN-RAIL: TS35/7.5 OR TS35/15

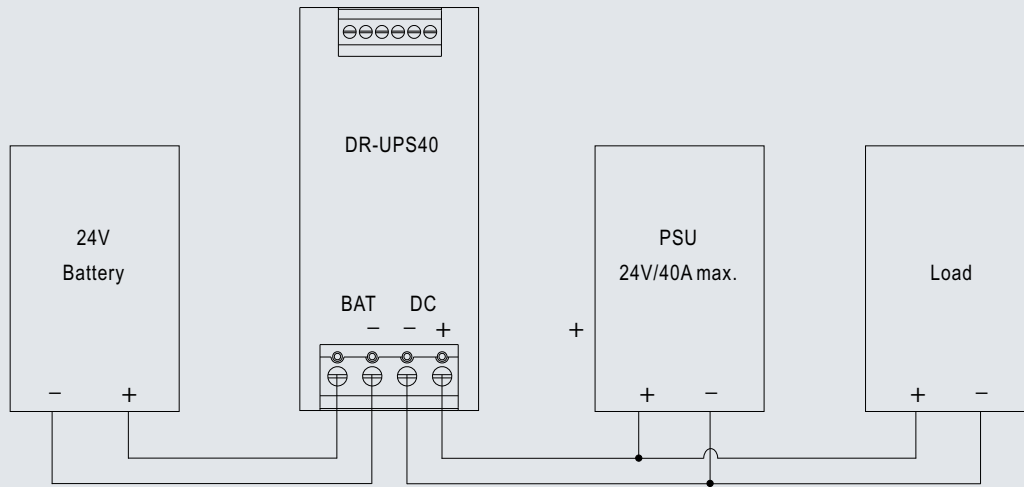


DR-UPS40

40A DC DIN Rail UPS Power Supply



1. Back up connection for AC interruption



2. Combine redundancy module (DR-RDN20) to back up AC interruption or failure of PSU

