



Case:  
36 x 90 x 71mm

**Features**

- KNX TP Line coupler/repeater
- Telegram filtering function
- Long messages support up to 240 byte APDU
- Trace the subline traffic
- Diagnostic functions
- Manual function
- 3 years warranty

TYPE	FUNCTION
KSC-01L	KNX classic TP Line coupler/repeater
KSC-02L	KNX Secure Line couple/repeater

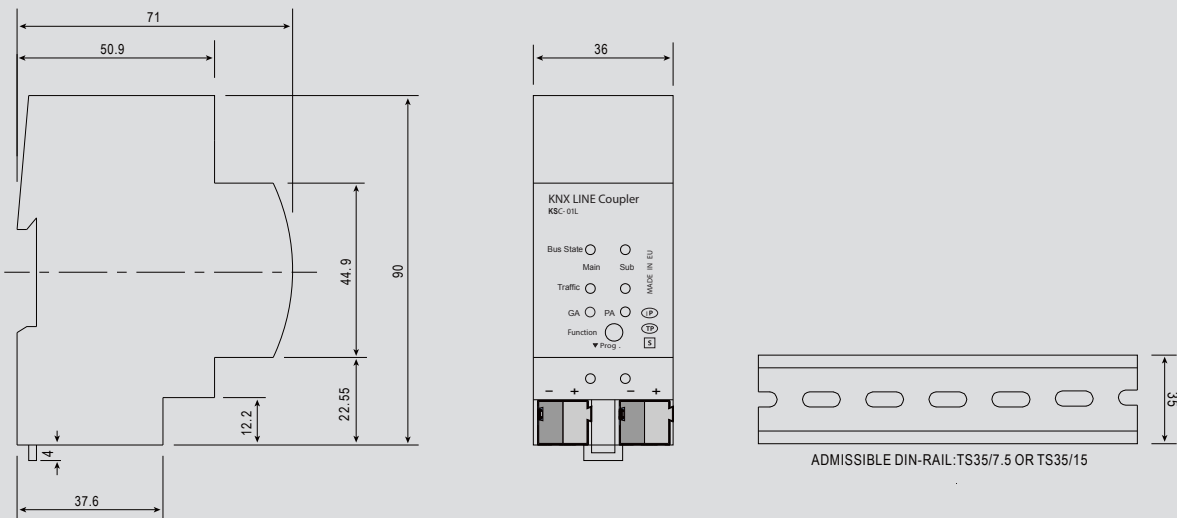


**Specification**

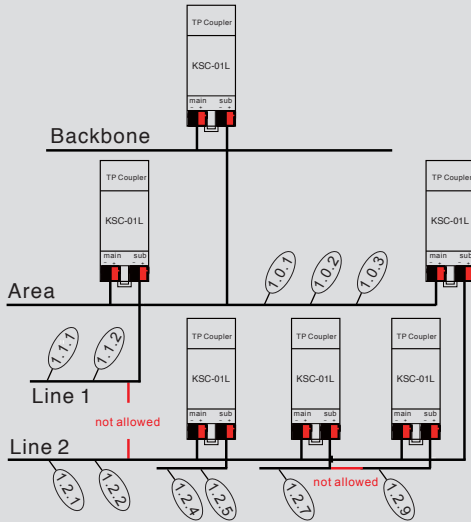
	MODEL No.	KSC
<b>SUB LINE</b>	<b>Interface</b>	KNX Protocol
	<b>Input Voltage</b>	21~30VDC (KNX TP bus)
	<b>PLED Indicator</b>	Various colour see mechanical specification part
	<b>Protection Type</b>	IP20 according to IEC60529
<b>MAIN LINE</b>	<b>Interface</b>	KNX Protocol
	<b>Input Voltage</b>	21~30VDC(KNX TP bus)
	<b>Current Consumption</b>	<10mA (KNX main TP line)
	<b>Working Temp. (Typ.)</b>	-5 ~ +45°C
<b>ENVIRONMENT</b>	<b>Working Humidity</b>	20 ~ 90% RH non-condensing
	<b>Storage Temp., Humidity</b>	-20 ~ +60°C, 5 ~ 93% RH non-condensing
	<b>Pollution Degree</b>	2 according to IEC60664-1
	<b>Protection Type</b>	IP20 according to IEC60529
<b>SAFETY &amp; EMC</b>	<b>Safety Standards</b>	EAC TP TC 004 approved; Compliance to EN60669
	<b>KNX Standards</b>	ISO/IEC 14543-3, EN50090, EN13321-1
	<b>EMC Emission</b>	Compliance to EN50491-5, EN61000-6, EAC TP TC 020
	<b>EMC Immunity</b>	Compliance to EN61000-4-2,3,4,5,6,11, EAC TP TC 020
<b>OTHERS</b>	<b>MTBF</b>	100K hrs min.
	<b>Dinrail Mounting</b>	35 mm rail; 2 units wide
	<b>Packing</b>	0.066Kg; 5pcs/0.45Kg

**Mechanical Diagram**

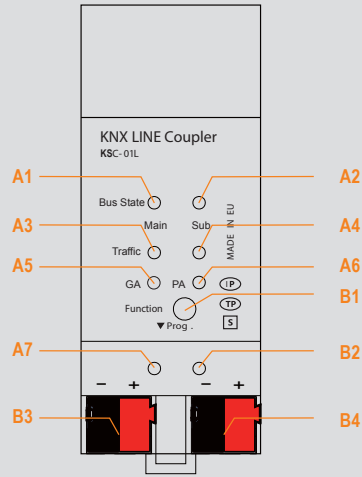
Case unit: mm



**Network Diagram**



**Functions**



- A1: Bus state KNX TP (Main line)**  
green: Main line OK  
red: Manual Function active
- A2: Bus state KNX TP (Subline)**  
green: Subline OK
- A3: Telegram traffic KNX TP (Main line)**  
green, blink.: Telegram traffic extent  
red, blink.: Transmission error
- A4: Telegram traffic KNX TP (Subline)**  
green, blink.: Telegram traffic extent  
red, blink.: Transmission error
- A5: Group Address routing**  
green: Filter active  
orange: Route all  
red: Block all  
<off>: Main line / subline different
- A6: Physical Address routing**  
green: Filter active  
orange: Route all  
red: Block all  
<off>: Main line / subline different
- A7: Programming**  
red: Program Mode
- B1: Function button**
- B2: Program button**
- B3: KNX TP connector Main line**
- B4: KNX TP connector Subline**