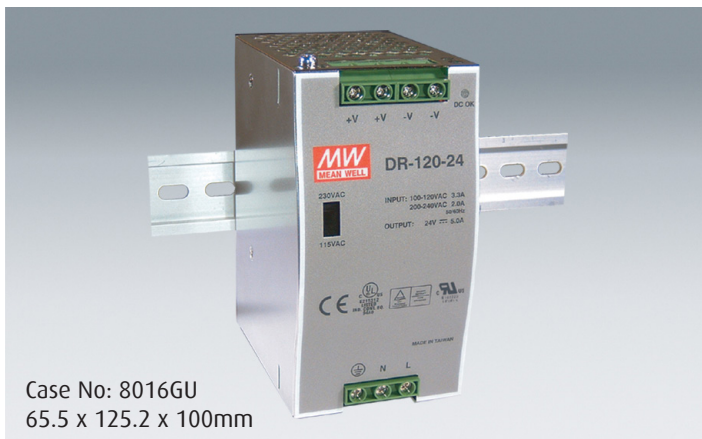


DR-120 Series

120W Single Output Industrial DIN Rail Power Supply



Case No: 8016GU
65.5 x 125.2 x 100mm

Features

- AC input range selectable by switch
- Protections: Short Circuit / Overload / Over voltage / Over Temperature
- Cooling by Free Air Convection
- Can be installed on DIN rail TS-35/7.5 or 15
- UL 508 (Industrial Control Equipment) approved
- LED indicator for power on
- 100% full load burn-in test
- Fixed Switching Frequency at 55KHz
- 3 years warranty



Specification

INPUT	Voltage	88V~132VAC 176~264VAC by switch 248~370VDC		
	Frequency	47 ~ 63 Hz		
	Efficiency	80%	84%	85%
	AC Current (Typ.)	2.6A/115VAC 1.6A/230VAC		
	Inrush Current (Typ.)	Cold start 20A/115VAC 40A/230VAC		
	Leakage Current	<3.5mA/240VAC		
	OUTPUT	MODEL No.	DR-120-12	DR-120-24
Voltage		12V	24V	48V
Rated Current		10A	5A	2.5A
Current Range		0~10A	0~5A	0~2.5A
Rated Power		120W	120W	120W
Ripple Noise MAX.		80mVp-p	80mVp-p	100mVp-p
Voltage Adjustment Range		12 ~ 14V	24 ~ 28V	48 ~ 53V
Voltage Tolerance		± 2.0%	± 1.0%	± 1.0%
Line Regulation		± 0.5%	± 0.5%	± 0.5%
Load Regulation		± 1.0%	± 1.0%	± 1.0%
Setup Rise Time		500ms, 70ms/230VAC	500ms, 70ms/115VAC at full load	
Holdup Time (Typ.)	36ms/230VAC	32ms/115VAC at full load		
PROTECTION	Over Load	105 ~ 150% rated output power Protection Type: Constant current limiting, recovers automatically after fault condition is removed		
	Over Voltage	15 ~ 16.5V	29 ~ 33V	58 ~ 65V
		Protection Type: Shut down o/p voltage, re-power onto recover		
	Over Temperature	85°C±5°C (TSW1)	90°C±5°C (TSW1)	90°C±5°C (TSW1)
	Shut down o/p voltage, recovers automatically after temperature goes down			
ENVIRONMENT	Working Temperature	-10 ~ +60°C (Refer to "Derating Curve")		
	Working Humidity	20 ~ 90% RH non-condensing		
	Storage Temp., Humidity	-20 ~ +85°C, 10-95%RH		
	Temp. Co-efficient	±0.03% / °C (0~50°C)		
	Vibration	10 ~ 500Hz, 2G 10min./1cycle, period for 60 min. each along X, Y, Z axes; Mounting: compliance to IEC60068-2-6		
SAFETY & EMC	Safety Standards	UL508Hz, UL60950-1, TUV EN60950-1 approved		
	Withstand Voltage	I/P-O/P:3KVAC	I/P-FG:2KVAC	O/P-FG:0.5KVAC
	Isolation Resistance	I/P-OP I/P-FG, O/P-FG: 100M Ohms/500Vdc/25°C/70% RH		
	EMC Emission	Compliance to EN55011,EN55032 (CISPR32) Class B, EN61000-3-2,-3		
	EMC Immunity	Compliance to EN61000-4-2,3,4,5,6,8,11, EN55024, EN61000-6-2 (EN50082-20) Heavy industry level, criteria A		
OTHERS	M.T.B.F.	432.1K hrs min. MIL-HDBK-217F (25°C)		
	Packaging	0.79Kg; 20pcs/16.5Kg/1.29CUFT		

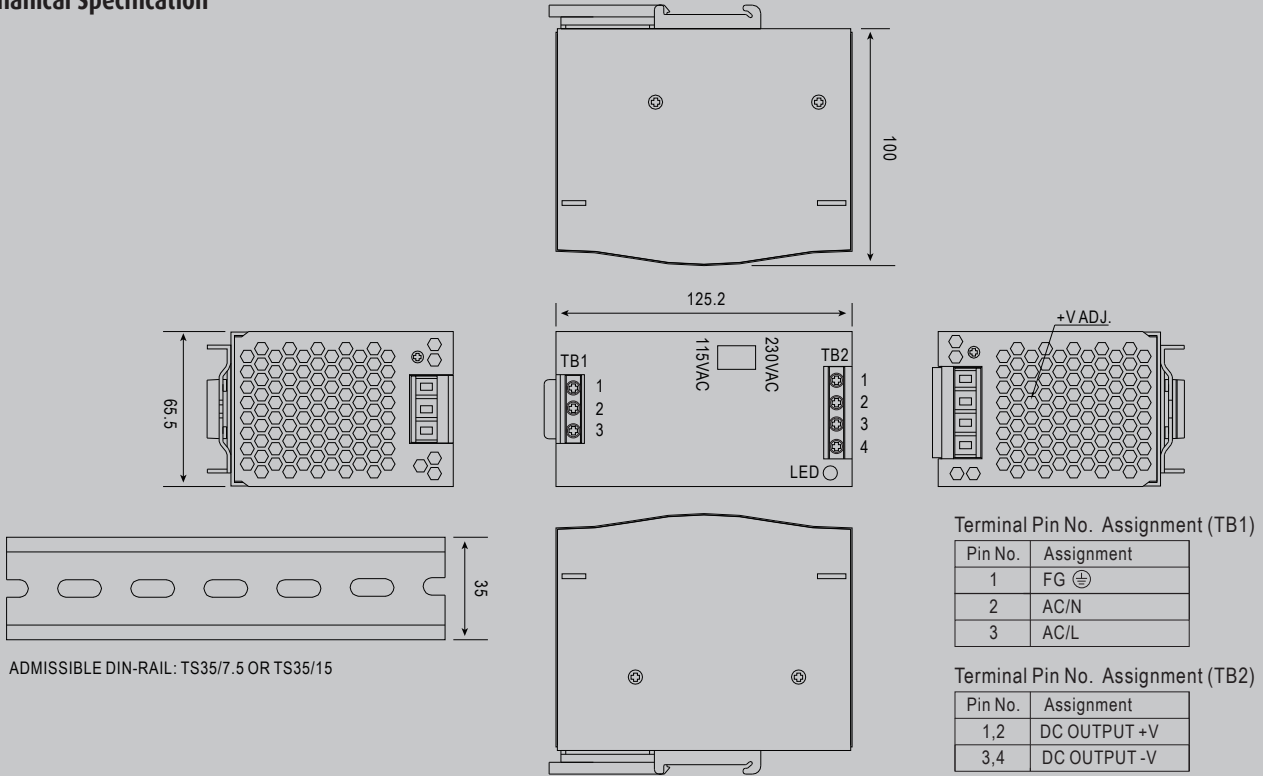
1. All parameters NOT specially mentioned are measured at 230VAC input, rated load and 25°C of ambient temperature.
2. Ripple and noise are measured at 20MHz of bandwidth by using a 12" twisted pair-wire terminated with a 0.1uf & 47uf parallel capacitor.
3. Tolerance: includes set up tolerance, line regulation and load regulation.
4. The power supply is considered as a component which will be installed with final equipment. The final equipment must re-confirmed that it still meets EMC Directives.

DR-120 Series

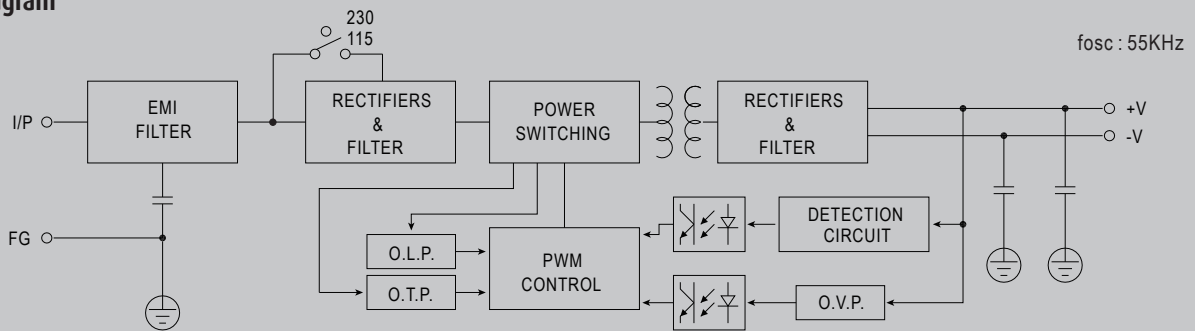
120W Single Output Industrial DIN Rail Power Supply



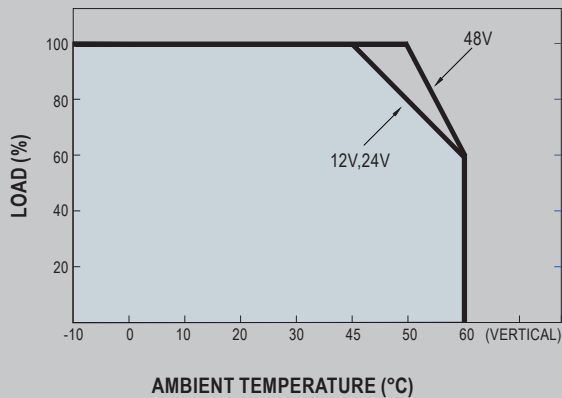
Mechanical Specification



Block Diagram



Derating Curve



Output Derating VS Input Voltage

