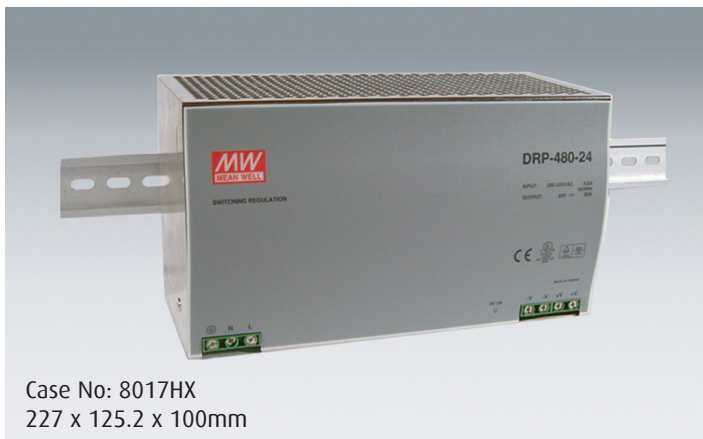


DRP-480 Series

480W Single Output Industrial DIN Rail with PFC Function Power Supply



Features

- AC input range selectable by switch
- Built-in passive PFC function compliance to EN61000-3-2
- High efficiency 89% and low dissipation
- Protections: Short Circuit / Overload / Over voltage / Over Temperature
- Cooling by Free Air Convection
- Built-in constant current limiting circuit
- Can be installed on DIN rail TS-35/7.5 or 15
- UL 508 (Industrial Control Equipment) approved
- EN61000-6-2(EN50082-2) Industrial immunity level
- 100% full load burn-in test
- 3 years warranty



Specification

INPUT	Voltage	180V~264VAC 250~370VAC		
	Frequency	47 ~ 63 Hz		
	Power Factor	≥0.7		
	AC Current (Typ.)	4A/230VAC		
	Inrush Current (Typ.)	Cold start 40A/230VAC		
	Leakage Current	<3.5mA/240VAC		
	Efficiency	89%	89%	
OUTPUT	MODEL No.	DR-480-24	DR-480-48	
	Voltage	24V	48V	
	Rated Current	20A	10A	
	Current Range	0~20A	0~10A	
	Rated Power	480W	480W	
	Ripple Noise MAX.	120mVp-p	120mVp-p	
	Voltage Adjustment Range	24 ~ 28V	48 ~ 53V	
	Voltage Tolerance	± 1.0%	± 1.0%	
	Line Regulation	± 0.5%	± 0.5%	
	Load Regulation	± 1.0%	± 1.0%	
	Setup Rise Time	1200ms, 40ms/230VAC, 115VAC at full load		
	Holdup Time (Typ.)	23ms/230VAC, 115VAC at full load		
PROTECTION	Over Load	105 ~ 150% rated output power Protection Type: Constant current limiting, recovers automatically after fault condition is removed		
	Over Voltage	30 ~ 36V	54 ~ 60V	
	Over Temperature	100°C±5°C (TSW: detect on heatsink of power switch) Shut down o/p voltage, recovers automatically after temperature goes down		
	Working Temperature	-20 ~ +70°C (Refer to "Derating Curve")		
ENVIRONMENT	Working Humidity	20 ~ 90% RH non-condensing		
	Storage Temp., Humidity	-20 ~ +85°C, 10~95%RH		
	Temp. Co-efficient	±0.03% / °C (0~50°C)		
	Vibration	10 ~ 500Hz, 2G 10min./1cycle, period for 60 min. each along X, Y, Z axes; Mounting: compliance to IEC60068-2-6		
SAFETY & EMC	Safety Standards	UL508Hz, UL60950-1, TUV EN60950-1 approved		
	Withstand Voltage	I/P-O/P:3KVAC I/P-FG:2KVAC O/P-FG:0.5KVAC		
	Isolation Resistance	I/P-OP I/P-FG, O/P-FG: 100M Ohms/500Vdc/25J/70% RH		
	EMC Emission	Compliance to EN55032 (CISPR32) Class B, EN61000-3-2,-3		
	EMC Immunity	Compliance to EN61000-4-2,3,4,5,6,8,11, EN61000-6-2 (EN50082-2) Heavy industry level, criteria A		
OTHERS	M.T.B.F.	180.9K hrs min. MIL-HDBK-217F (25°C)		
	Packaging	2.4Kg; 6pcs/15.5Kg/1.75CUFT		

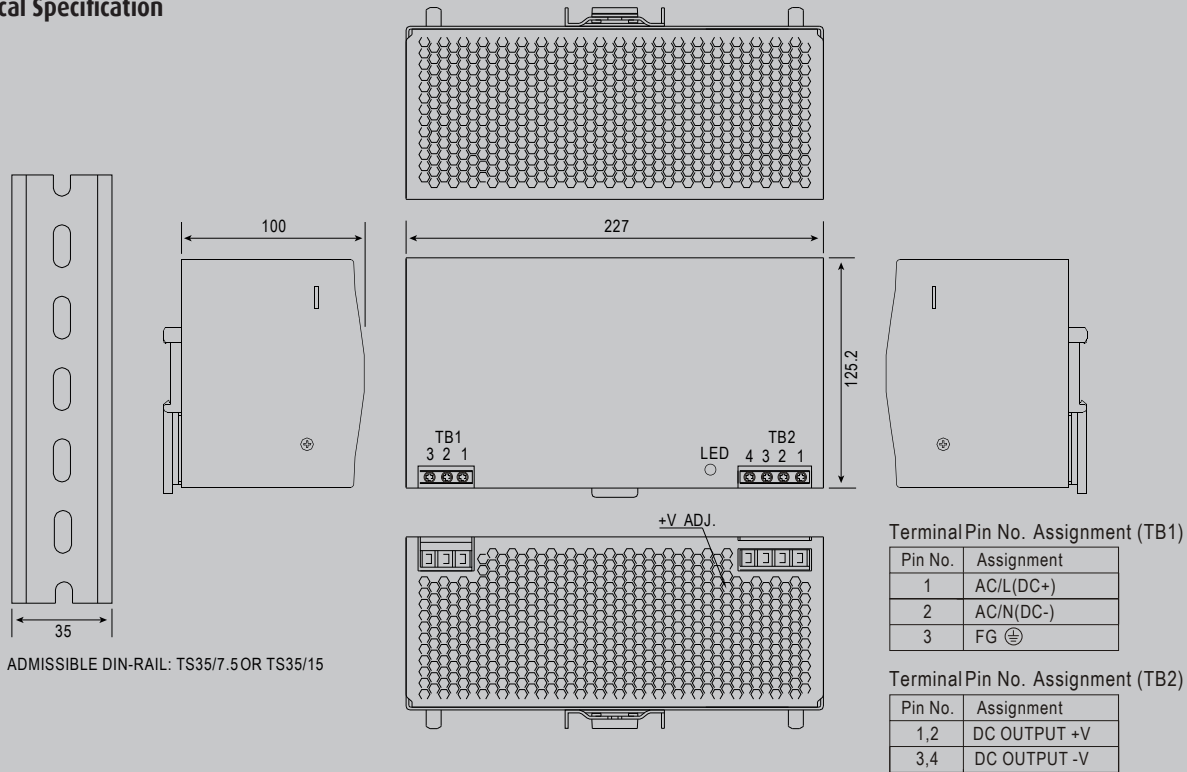
1. All parameters NOT specially mentioned are measured at 230VAC input, rated load and 25°C of ambient temperature.
2. Ripple and noise are measured at 20MHz of bandwidth by using a 12" twisted pair-wire terminated with a 0.1µf & 47µf parallel capacitor.
3. Tolerance: includes set up tolerance, line regulation and load regulation.
4. The power supply is considered as a component which will be installed with final equipment. The final equipment must re-confirmed that it still meets EMC Directives.

DRP-480 Series

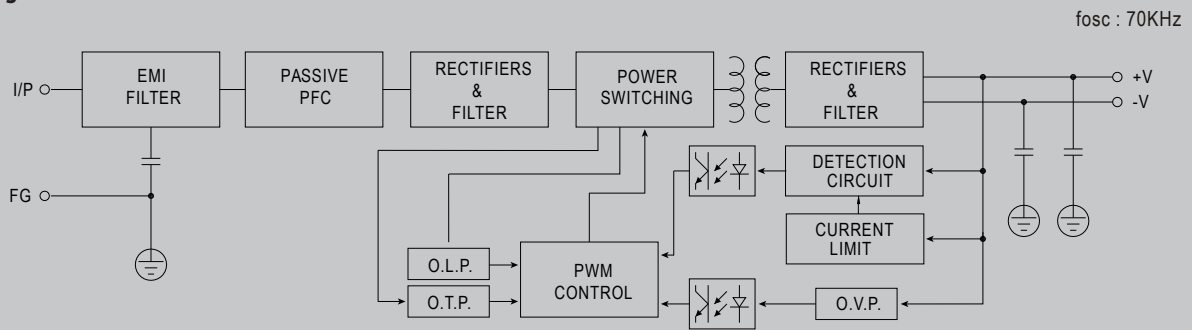
480W Single Output Industrial DIN Rail Power Supply



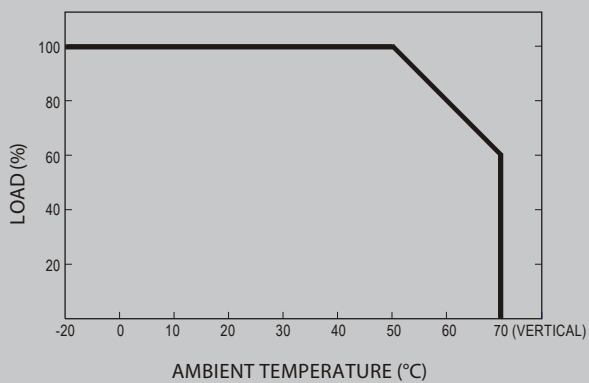
Mechanical Specification



Block Diagram



Derating Curve



Output Derating VS Input Voltage

