

PS-35 Series

35W Single Output Switching Power Supply



Case No: 8019KG
101.6 x 50.8 x 24 mm

Features

- Universal AC input/ Full range
- Protections: Short circuit, Overload Over voltage and Over temperature
- Cooling by free convection
- 100% full load burn-in test
- Fixed switching frequency at 100KHz



Specification

INPUT	Voltage	90V ~ 264VAC universal full range or 127V ~ 370VDC.							
	Frequency	47 ----- 440 Hz							
	Current	<0.75A@115VAC; 0.5A@230VAC full load							
	Inrush Current	23A@115VAC; 45A@230VAC cold start							
	Leakage Current	<2mA@240VAC							
OUTPUT	MODEL No.	PS-35-3.3	PS-35-5	PS-35-7.5	PS-35-12	PS-35-13.5	PS-35-15	PS-35-24	PS-35-48
	Voltage	3.3V	5V	7.5V	12V	13.5V	15V	24V	48V
	Rated Current	6A	6A	4.7A	3A	2.6A	2.4A	1.5A	0.75A
	Current Range	0~6A	0~6A	0~4.7A	0~3A	0~2.6A	0~2.4A	0~1.5A	0~0.75A
	Output Tolerance	± 2%	± 2%	± 2%	± 1%	± 1%	± 1%	± 1%	± 1%
	Line Regulation	± 0.5%	± 0.5%	± 0.5%	± 0.5%	± 0.5%	± 0.5%	± 0.5%	± 0.5%
	Load Regulation	± 1%	± 1%	± 1%	± 0.5%	± 0.5%	± 0.5%	± 0.5%	± 0.5%
	Ripple Noise MAX.	80mV	100mV	100mV	120mV	120mV	150mV	200mV	240mV
	Efficiency (TYP.)	70%	78%	80%	81%	81%	81%	85%	84%
	Rated Power	19.8W	30W	35.25W	36W	35.1W	36W	36W	36W
PROTECTION	Over Voltage	3.8~4.95V	5.75~6.75V	8.63~10.5V	13.8~16.2V	15.5~18.2V	17.25~20.25V	27.6~32.4V	55.2~62.4V
		Shut off o/p voltage, re-power on to recover							
	Over Load	105~150% rated output power (3.3V:105~160% rated output power) Hiccup mode, recovers automatically after fault condition is removed							
ELEC. CHAR.	Rise Time	20mS@230VAC; 30mS@115VAC at full load							
	Hold up Time	>0.1mS@230VAC; 0.02mS@115VAC at full load							
	Setup Time	0.2 Sec @ 115~230VAC at full load							
ENVIRONMENT	Temperature	Operating: -20 ~ +65°C ; Storage: -20~ +85°C							
	Humidity	Operating: 20% ~ 90% RH (non condensing); Storage: 10% ~ 95% RH							
SAFETY	Withstand Voltage	I/P-O/P:3KVAC; I/P-FG:1.5KVAC; O/P-FG:0.5KVAC							
	Isolation Resistance	I/P-O/P, I/P-FG, O/P-FG 100MΩ/500VDC							
	Safety Standard	UL60950, TUV EN60950-1 Approved							
EMC	EMI	EN55022 (CISPR22) class B, EN61000-3-2,3							
	EMS	EN61000-4-2,3,4,5,6,8,11; ENV50204, EN55024, light industry level, criteria A							
OTHERS	Cooling	Cooling by free air convection							
	M.T.B.F.	588.8K hrs min. MIL-HDBK-217F (°C)							
	Packing	0.124Kg; 96pcs/12.9Kg/0.8 CUFT							

1 All parameters NOT specially mentioned are measured at 230VAC input, rated load and 25°C of ambient temperature

2 Ripple & noise are measured at 20MHz of bandwidth by using a 12" twisted pair-wire terminated with a 0.1uf & 47uf parallel capacitor

3 Tolerance: includes set up tolerance, line regulation and load regulation

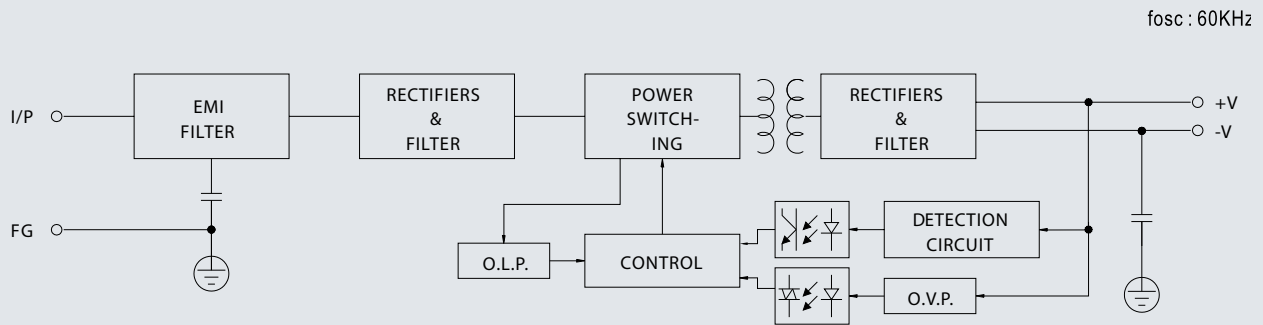
4 The power supply is considered a component which will be installed into final equipment. The final equipment must be re-confirmed that it still meets EMC directives

PS-35 Series

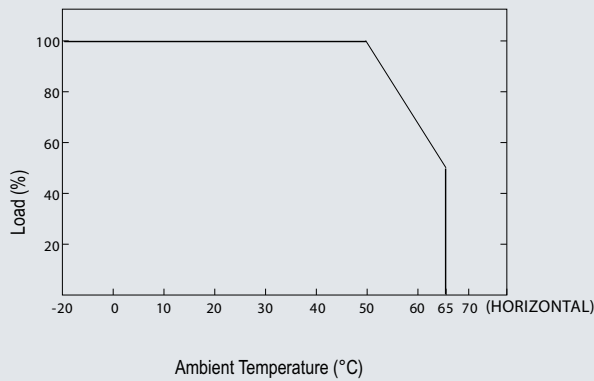
35W Single Output Switching Power Supply



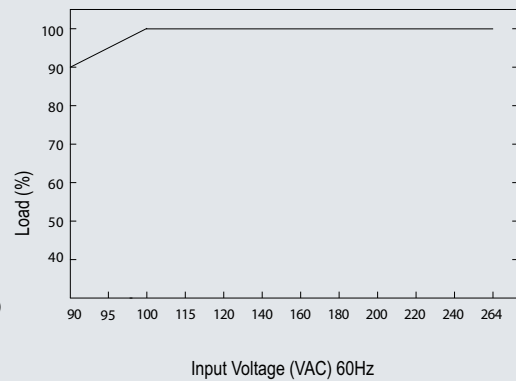
Block Diagram



De-Rating Curve



Output Derating Vs Input Voltage



Dimensions

AC Input Connector (CN1): JST B3P-VH-B or equivalent

Pin No.	Assignment	Mating Housing	Terminal
1	AC/L	JST VHR or equivalent	JST SVH-21T-P1.1 or equivalent
2	No Pin	JST VHR or equivalent	JST SVH-21T-P1.1 or equivalent
3	AC/N	JST VHR or equivalent	JST SVH-21T-P1.1 or equivalent

DC Output Connector (CN2): JST B4P-VH-B or equivalent

Pin No.	Assignment	Mating Housing	Terminal
1,2	+V	JST VHR or equivalent	JST SVH-21T-P1.1 or equivalent
3,4	-V	JST VHR or equivalent	JST SVH-21T-P1.1 or equivalent

