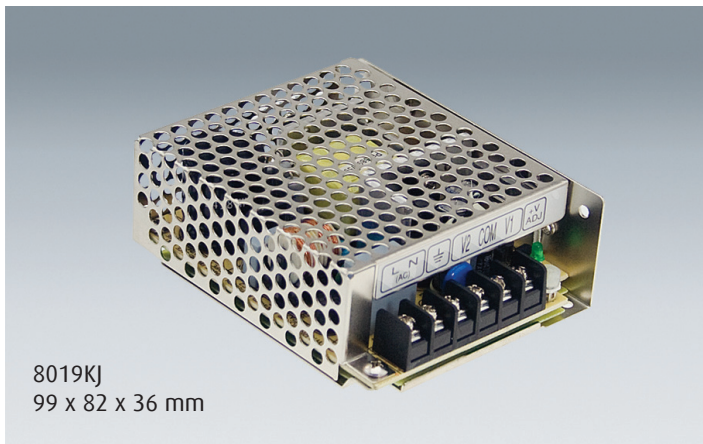


RS-35 Series

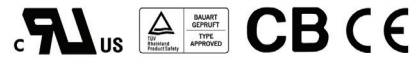
35W Single Output Switching Power Supply



8019KJ
99 x 82 x 36 mm

Features

- Universal AC input / Full range
- Protections: Short circuit / Overload / Over voltage
- Cooling by free air convection
- LED indicator for power on
- 100% full load burn-in test
- No load power consumption <0.5W
- All using 105°C long life electrolytic capacitors
- Withstand 300VAC surge input for 5 second
- High operating temperature up to 70°C
- Withstand 5G vibration test
- High Efficiency, long life and high reliability
- 3 years warranty



Specification

INPUT	Voltage	88V ~ 264VAC 125 ~ 373VDC (Withstand 300VAC surge for 5 sec. Without damage)					
	Frequency	47 ~ 63 Hz					
	Efficiency	76.5%	80.5%	84.5%	86%	88%	88.5%
	AC Current	0.8A /115VAC 0.55A/230VAC					
	Inrush Current (Typ.)	Cold Start 36A/230VAC					
	Leakage	<2mA/240VAC					
	MODEL No.	RS-35-3.3	RS-35-5	RS-35-12	RS-35-15	RS-35-24	RS-35-48
OUTPUT	Voltage	3.3V	5V	12V	15V	24V	48V
	Rated Current	7A	7A	3A	2.4A	1.5A	0.8A
	Current Range	0~7A	0~7A	0~3A	0~2.4A	0~1.5A	0~0.8A
	Rated Power	23.1W	35W	36W	36W	36W	38.4W
	Ripple Noise MAX.	80mVp-p	80mVp-p	120mVp-p	120mVp-p	120mVp-p	200mVp-p
	Voltage Adj. Range	2.9~3.6V	4.5~5.5V	10.8~13.2V	13.5~16.5V	22~27.6V	42~54V
	Voltage Tolerance	± 3.0%	± 2.0%	± 1.0%	± 1.0%	± 1.0%	± 1.0%
	Line Regulation	± 0.5%	± 0.5%	± 0.5%	± 0.5%	± 0.5%	± 0.5%
	Load Regulation	± 2.0%	± 1.0%	± 0.5%	± 0.5%	± 0.5%	± 0.5%
	Setup Rise Time	500ms, 50ms/230VAC 1200ms, 50ms/115VAC at full load					
Hold Up Time	80ms/230VAC 15ms/115 at full load						
PROTECTION	Overload	110~180% rated output power Protection Type: Hiccup mode, recovers automatically after fault condition is removed					
	Over Voltage	3.8~4.45V	5.75~6.75	13.8~16.2V	17.25~20.25V	27.6~32.4V	55.2~64.8V
ENVIRONMENT	Working Temp.	-20 ~ +70°C (Refer to "Derating Curve")					
	Working Humidity	20 ~ 90% RH non-condensing					
	Storage Temp., Humidity	-40 ~ +85°C, 10~95%RH					
	Temp. Co-efficient	±0.03%/°C (0~50°C)					
	Vibration	10~500Hz, 5G 10min./1cycle, period for 60min. each along X, Y, Z axes					
SAFETY & EMC	Safety Standards	UL60950-1, TUV EN60950-1 approved					
	Withstand Voltage	I/P-O/P:3KVAC I/P-FG:2KVAC O/P-FG:0.5KVAC					
	Isolation Resistance	I/P-OP, I/P-FG, O/P-FG:100M Ohms / 500VDC / 25°C / 70%RH					
	EMC Emission	Compliance to EN55022 (CISPR22) Class B, EN61000-3-2, -3					
OTHERS	EMC Immunity	Compliance to EN61000-4-2,3,4,5,6,8,11, EN61000-6-2 (EN50082-2), heavy industry level, criteria A					
	M.T.B.F.	249K hrs min. MIL-HDBK-217F (25°C)					
	Packaging	0.3Kg; 45pcs/14Kg/0.83CUFT					

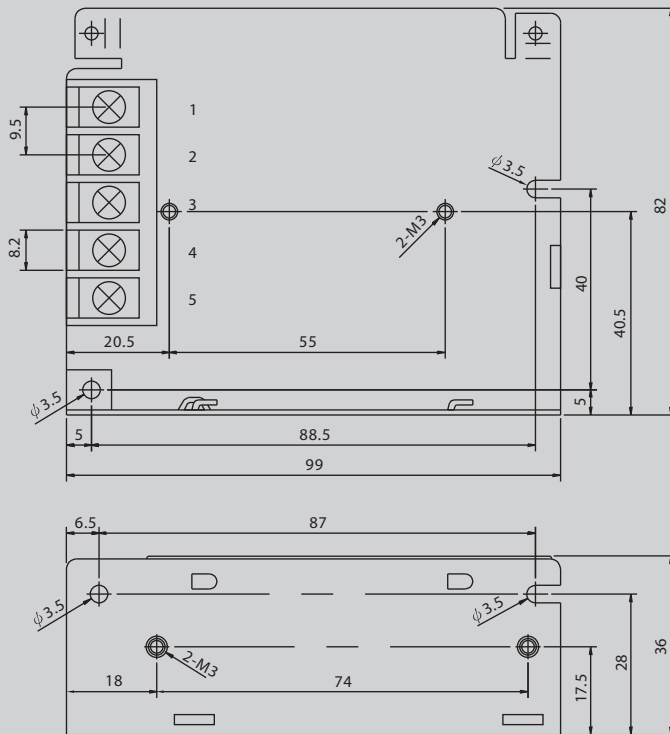
1. All parameters not specially mentioned are measured at 230VAC input, rated load and 25°C of ambient temperature.
2. Ripple & noise are measured at 20MHz of bandwidth by using a 12" twisted pair-wire terminated with a 0.1uF & 47uF parallel capacitor.
4. Tolerance: Includes set up tolerance, line regulation and load regulation.
5. Line regulation is measured from low line to high line at rated load.
6. Load regulation is measured from 0% to 100% rated load.
7. The power supply is considered a component which will be installed into a final equipment. The final equipment must be re-confirmed that it still meets EMC directives. For guidance on how to perform these EMC tests, please refer to "EMI testing of component power supplies."

RS-35 Series

35W Single Output Switching Power Supply



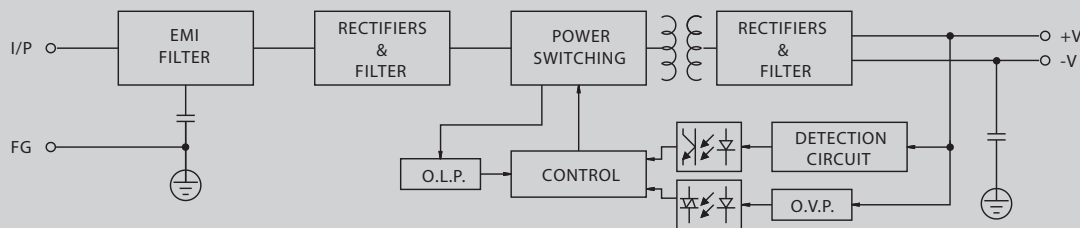
Mechanical Specification



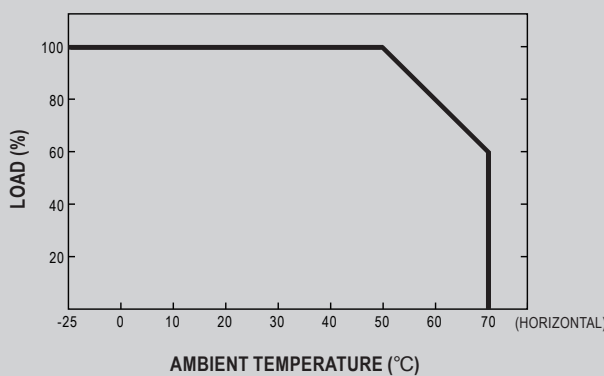
Terminal Pin No. Assignment

Pin No.	Assignment	Pin No.	Assignment
1	AC/L	4	DC OUTPUT -V
2	AC/N	5	DC OUTPUT +V
3	FG \perp		

Block Diagram



Derating Curve



Output Derating VS Input Voltage

