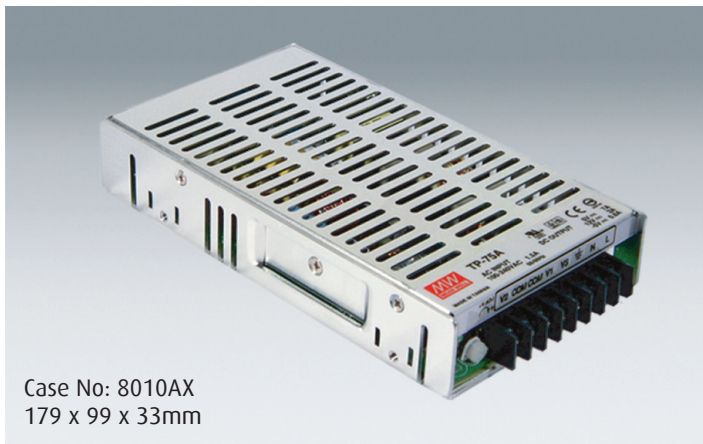


TP-75 Series

75W Triple Output Enclosed Power Supply with PFC Function



Case No: 8010AX
179 x 99 x 33mm

Features

- Universal AC input / Full range
- Built-in active PFC function, PF>0.95
- Cooling by free air convection
- Protections: Short circuit / Overload / Over Voltage
- Low profile: 33mm thickness
- LED indicator for power on
- Fixed switching frequency at PFC:67KHz PWM:134KHz
- 3 years warranty



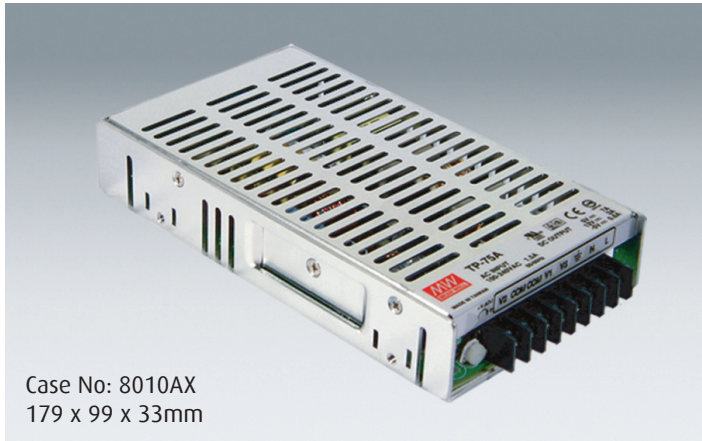
Specification

INPUT	Voltage	90V ~ 264VAC 127 ~ 370VDC								
	Frequency	47 ~ 63 Hz								
	Power Factor	PF>0.95/230VAC PF>0.98/115VAC at full load								
	Efficiency	70%								
	AC Current	1.5A/115VAC			0.8A/230VAC					
	Inrush Current (Typ.)	Cold Start 20A/230VAC								
	Leakage Current	<2mA/240VAC								
OUTPUT	MODEL No.	TP-75A			TP-75B			TP-75C		
	Output Number	CH1	CH2	CH3	CH1	CH2	CH3	CH1	CH2	CH3
	DC Voltage	5V	12V	-5V	5V	12V	-12V	5V	15V	-15V
	Rated Current	7A	3A	0.6A	7A	3A	0.4A	6A	2.5A	0.5A
	Current Range	1.5 ~ 10A	0.2 ~ 4A	0 ~ 0.6A	1.5 ~ 10A	0.2 ~ 4A	0 ~ 0.6A	1.5 ~ 10A	0.2 ~ 3A	0 ~ 0.6A
	Rated Power	74W			75.8W			75W		
	Ripple Noise MAX.	100mVp-p	120mVp-p	100mVp-p	100mVp-p	120mVp-p	120mVp-p	100mVp-p	120mVp-p	120mVp-p
	Voltage Adj. Range	CH1: 4.75 ~ 5.5V								
	Voltage Tolerance	± 3.0%	± 4.0%	± 8.0%	± 3.0%	± 4.0%	± 8.0%	± 3.0%	± 4.0%	± 8.0%
	Line Regulation	± 1.0%	± 1.0%	± 1.0%	± 1.0%	± 1.0%	± 1.0%	± 1.0%	± 1.0%	± 1.0%
	Load Regulation	± 3.0%	± 4.0%	± 8.0%	± 3.0%	± 4.0%	± 8.0%	± 3.0%	± 4.0%	± 8.0%
	Setup Rise Time	800ms, 60ms at full load								
	Holdup Time (Typ.)	36ms at full load								
PROTECTION	Overload	105~150% rated output power Protection Type: Hiccup, recovers automatically after fault condition is removed								
	Over Voltage	5.75 ~ 6.75V on +5V Protection Type: Shut down o/p voltage, re-power on to recover								
ENVIRONMENT	Working Temp.	-10 ~ +60°C (Refer to "Derating Curve")								
	Working Humidity	20 ~ 90% RH non-condensing								
	Storage Temp., Humidity	-20 ~ +85°C, 10 ~ 95%RH								
	Temp. Co-efficient	±0.03% / °C (0~50°C)								
	Vibration	10 ~ 500Hz, 2G 10min./1cycle, 60min. each along X, Y, Z axes								
SAFETY & EMC	Safety Standards	UL60950-1, TUV EN60950-1 approved								
	Withstand Voltage	I/P-O/P:3KVAC I/P-FG:2KVAC O/P-FG:0.5KVAC 1 min								
	Isolation Resistance	I/P-O/P, I/P-FG, O/P-FG:100M Ohms / 500VDC / 25°C/70% RH								
	EMC Emission	Compliance to EN55022 (CISPR22) Class B, EN61000-3-2, -3								
	EMC Immunity	Compliance to EN61000-4-2,3,4,5,6,8,11, EN55024, light industry level, criteria A								
OTHERS	M.T.B.F.	198.4K hrs min. MIL-HDBK-217F (25°C)								
	Packaging	0.65Kg; 20pcs/12.7Kg/0.64CUFT								

1. All parameters not specially mentioned are measured at 230VAC input, rated load and 25°C of ambient temperature.
2. Ripple & noise are measured at 20MHz of bandwidth by using a 12" twisted pair-wire terminated with a 0.1uF & 47uF parallel capacitor.
3. Tolerance: Includes set up tolerance, line regulation and load regulation.
4. The power supply is considered a component which will be installed into final equipment. The final equipment must be re-confirmed that it still meets EMC directives.
For guidance on how to perform these EMC tests, please refer to "EMI testing of component power supplies."
5. Derating may be needed under low input voltages. Please check the derating curve for more details.

TP-75 Series

75W Triple Output Enclosed Power Supply with PFC Function



Case No: 8010AX
179 x 99 x 33mm

Features

- Universal AC input / Full range
- Built-in active PFC function, PF>0.95
- Cooling by free air convection
- Protections: Short circuit / Overload / Over Voltage
- Low profile: 33mm thickness
- LED indicator for power on
- Fixed switching frequency at PFC:67KHz PWM:134KHz
- 3 years warranty



Specification

INPUT	Voltage	90V ~ 264VAC 127 ~ 370VDC					
	Frequency	47 ~ 63 Hz					
	Power Factor	PF>0.95/230VAC PF>0.98/115VAC at full load					
	Efficiency	70%					
	AC Current	1.5A/115VAC 0.8A/230VAC					
	Inrush Current (Typ.)	Cold Start 20A/230VAC					
	Leakage Current	<2mA/240VAC					
OUTPUT	MODEL No.	TP-75D			TP-7503		
	Output Number	CH1	CH2	CH3	CH1	CH2	CH3
	DC Voltage	5V	24V	12V	5V	3.3V	12V
	Rated Current	7A	1.5A	0.4A	9A	8A	0.3A
	Current Range	1.5 ~ 10A	0.2 ~ 2.5A	0 ~ 0.6A	1.5 ~ 10A	0.2 ~ 8A	0 ~ 0.6A
	Rated Power	75.8W			75W		
	Ripple Noise MAX.	100mVp-p	120mVp-p	120mVp-p	100mVp-p	50mVp-p	120mVp-p
	Voltage Adj. Range	CH1: 4.75 ~ 5.5V					
	Voltage Tolerance	± 3.0%	± 4.0%	± 8.0%	± 3.0%	± 4.0%	± 8.0%
	Line Regulation	± 1.0%	± 1.0%	± 1.0%	± 1.0%	± 1.0%	± 1.0%
	Load Regulation	± 3.0%	± 4.0%	± 8.0%	± 3.0%	± 4.0%	± 8.0%
	Setup Rise Time	800ms, 60ms at full load					
	Holdup Time (Typ.)	36ms at full load					
PROTECTION	Overload	105~150% rated output power Protection Type: Hiccup, recovers automatically after fault condition is removed					
	Over Voltage	5.75 ~ 6.75V on +5V Protection Type: Shut down o/p voltage, re-power on to recover					
ENVIRONMENT	Working Temp.	-10 ~ +60°C (Refer to "Derating Curve")					
	Working Humidity	20 ~ 90% RH non-condensing					
	Storage Temp., Humidity	-20 ~ +85°C, 10 ~ 95%RH					
	Temp. Co-efficient	±0.03% / °C (0~50°C)					
	Vibration	10 ~ 500Hz, 2G 10min./1cycle, 60min. each along X, Y, Z axes					
SAFETY & EMC	Safety Standards	UL60950-1, TUV EN60950-1 approved					
	Withstand Voltage	I/P-O/P:3KVAC I/P-FG:2KVAC O/P-FG:0.5KVAC 1 min					
	Isolation Resistance	I/P-O/P, I/P-FG, O/P-FG:100M Ohms / 500VDC / 25°C/70% RH					
	EMC Emission	Compliance to EN55022 (CISPR22) Class B, EN61000-3-2, -3					
	EMC Immunity	Compliance to EN61000-4-2,3,4,5,6,8,11, EN55024, light industry level, criteria A					
OTHERS	M.T.B.F.	198.4K hrs min. MIL-HDBK-217F (25°C)					
	Packaging	0.65Kg; 20pcs/12.7Kg/0.64CUFT					

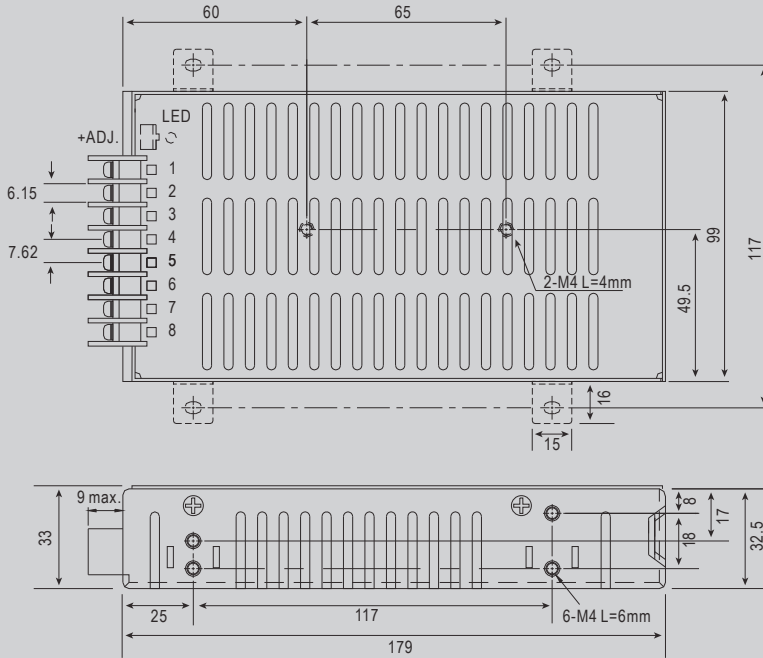
1. All parameters not specially mentioned are measured at 230VAC input, rated load and 25°C of ambient temperature.
2. Ripple & noise are measured at 20MHz of bandwidth by using a 12" twisted pair-wire terminated with a 0.1uF & 47uF parallel capacitor.
3. Tolerance: Includes set up tolerance, line regulation and load regulation.
4. The power supply is considered a component which will be installed into final equipment. The final equipment must be re-confirmed that it still meets EMC directives.
For guidance on how to perform these EMC tests, please refer to "EMI testing of component power supplies."
5. Derating may be needed under low input voltages. Please check the derating curve for more details.

TP-75 Series

75W Triple Output Enclosed Power Supply with PFC Function



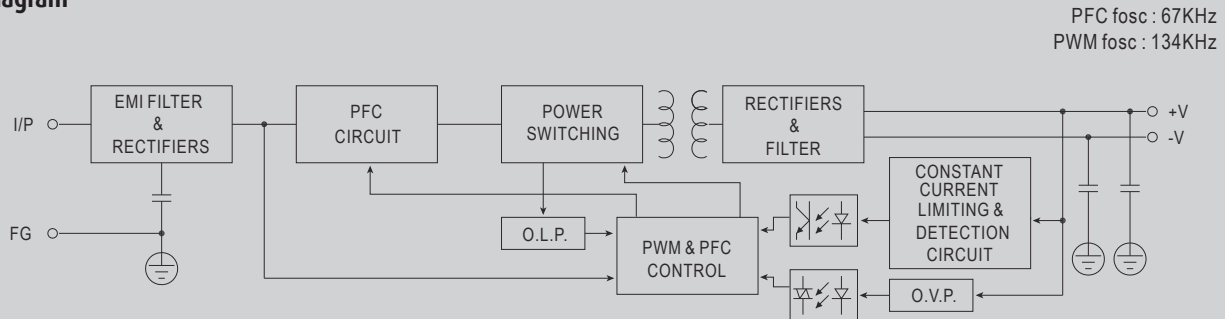
Mechanical Specification



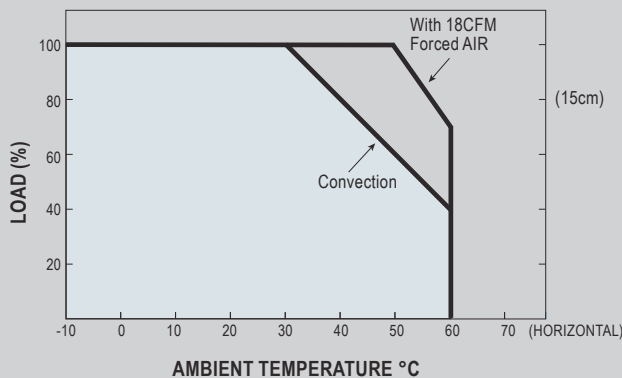
Terminal Pin No. Assignment

Pin No.	Assignment	Pin No.	Assignment
1	DC OUTPUT +V2	6	FG \perp
2,3	COM	7	AC/N
4	DC OUTPUT +V1	8	AC/L
5	DC OUTPUT +V3		

Block Diagram



Derating Curve



Output Derating Vs Input Voltage

