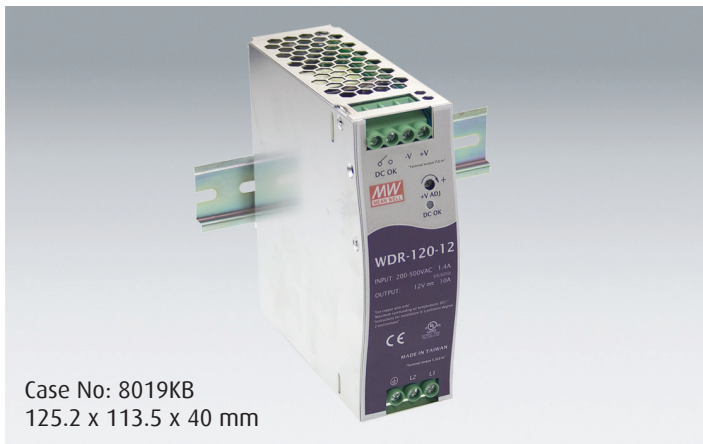


WDR-120 Series

120W Single Output Industrial DIN RAIL Power Supply



Case No: 8019KB
125.2 x 113.5 x 40 mm

Features

- Single and two phase wide input range 180~550VAC
- Built-in constant current limiting circuit
- Protections: Short circuit / Overload / Over Voltage / Over Temperature
- Cooling by free air convection
- Can be installed on DIN rail TS-35/7.5 or 15
- UL 508 (industrial control equipment) approved
- EN61000-6-2(EN50082-2) industrial immunity level
- Built-in DC OK relay contract
- 100% full load burn-in test
- 3 years warranty



Specification

INPUT	Voltage	180V ~ 550VAC 254 ~ 780VDC		
	Frequency	47 ~ 63 Hz		
	Current	0.7A@400VAC 1.2A@230VAC		
	Inrush Current (Typ.)	Cold Start 50A		
	Leakage Current	<3.5A@530VAC		
	Efficiency	89.5%/400V	91%/400V	92%/400V
	MODEL No.	WDR-120-12	WDR-120-24	WDR-120-48
OUTPUT	Voltage	12V	24V	48V
	Rated Current	10A	5A	2.5A
	Current Range	0 ~ 10A	0 ~ 5A	0 ~ 2.5A
	Rated Power	120W	120W	120W
	Ripple Noise MAX	120mVp-p	120mVp-p	150mVp-p
	Voltage Adj. Range	12 ~ 15V	24 ~ 29V	48 ~ 58V
	Voltage Tolerance	± 1.5%	± 1.0%	± 1.0%
	Line Regulation	± 0.5%	± 0.5%	± 0.5%
	Load Regulation	± 0.5%	± 0.5%	± 0.5%
	Setup Rise Time	2000ms, 70ms, 50ms / 400VAC 2000ms, 70ms, 10ms / 230VAC at full load		
PROTECTION	Overload	105 ~ 130% rated output power Constant current limiting, recovers automatically after fault condition is removed		
	Over Voltage	16~18V	31~37V	60~67V
	Over Temperature	Protection Type: Shut down o/p voltage, recovers automatically after temperature goes down		
FUNCTION	DC OK Realy contact ratings (max.)	Relay contact rating (max.) 30VAC/1A resistive load		
ENVIRONMENT	Working Temp.	-25~+70°C (Refer to output load derating Curve")		
	Working Humidity	20~90% RH non-condensing		
	Storage Temp., Humidity	-40~+85°C, 10~95%RH		
	Temp. Co-efficient	±0.03% / °C (0~50°C)		
SAFETY & EMC	Vibration	Component: 10~500Hz, 2G 10min./1cycle, 60 min. each along X, Y, Z axes; mounting: Compliance to IEC60068-2-6		
	Safety Standards	UL508, IEC60950-1 CB approved by SIQ, design refer to GL; (meets EN60204-1)		
	Withstand Voltage	I/P-OP:3KVAC	I/P-FG:2KVAC	O/P-FG:0.5KVAC O/P-DC OK:0.5KVAC
	Isolation Resistance	I/P-O/P, I/P-FG,O/P-FG:>100M Ohms / 500VDC / 25°C / 70%RH		
	EMC Emission	Compliance to EN55011 (CISPR11), EN55022 (CISPR22). EN61204-3 Class B,		
OTHERS	EMC Immunity	Compliance to EN61000-4-2,3,4,5,6,8,11, EN61204-3, EN61000-6-2 (EN50082-2), heavy industry level, criteria A		
	MTBF	268K hrs min. MIL-HDBK-217F (25°C)		
	Packaging	0.65Kg; 20pcs/14Kg/1.16CUFT		

1. All parameters NOT specially mentioned are measured at 230VAC input, rated load and 25°C of ambient temperature.
2. Ripple and noise are measured at 20MHz of bandwidth by using a 12" twisted pair-wire terminated with a 0.1uF & 47uF parallel capacitor.
3. Tolerance: includes set up tolerance, line regulation and load regulation.
4. The power supply is considered a component which will be installed into a final equipment. The final equipment must be re-confirmed that it still meets EMC directives.
5. Length of set up time is measured at cold first start. Turning ON/OFF the power supply quickly may lead to increase of the set up time.

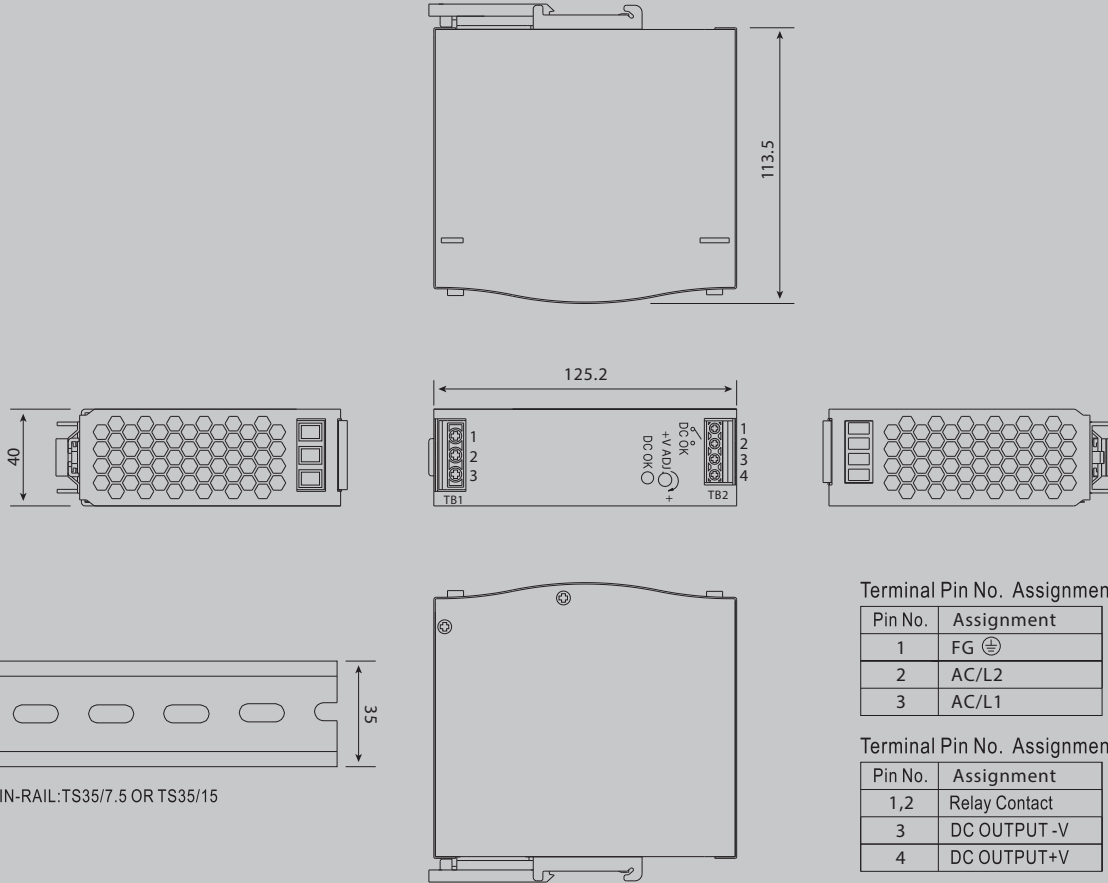
WDR-120 Series

120W Single Output Industrial DIN RAIL Power Supply

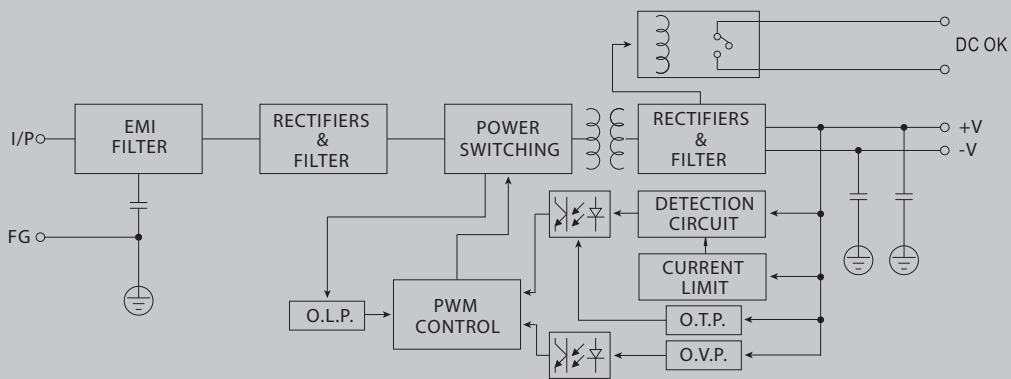


Mechanical Specification

Case No.992B Unit:mm



Block Diagram



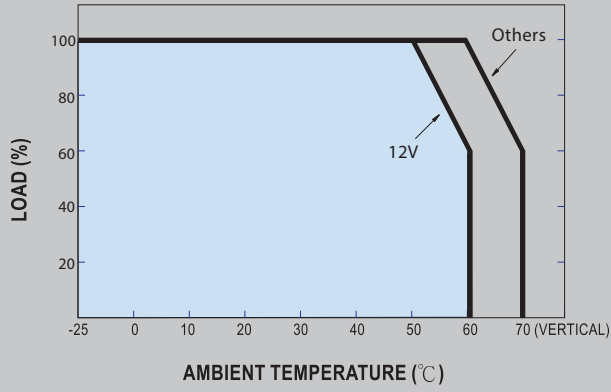
Contact Close	PSU turns on / DC OK.
Contact Open	PSU turns off / DC Fail.
Contact Ratings (max.)	30V/1A resistive load.

WDR-120 Series

120W Single Output Industrial DIN RAIL Power Supply



Derating Curve



Static Characteristics

