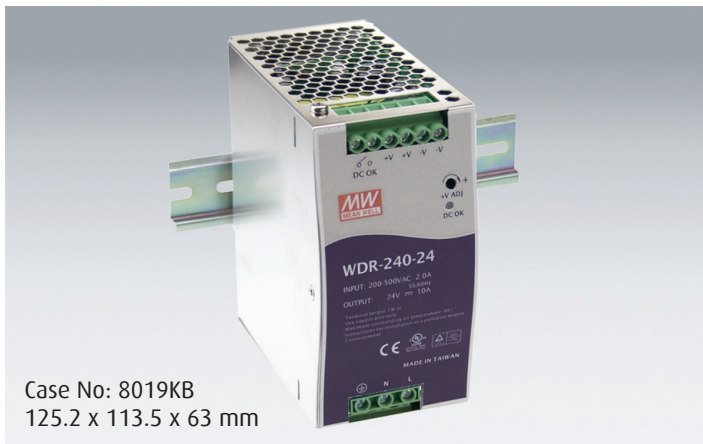


WDR-240 Series

240W Single Output Industrial DIN RAIL Power Supply



Case No: 8019KB
125.2 x 113.5 x 63 mm

Features

- Single and two phase wide input range 180~550VAC
- Built-in active PFC circuit compliance to EN61000-3-2
- High Efficiency 91% and low power dissipation
- Protections: Short circuit / Overload / Over Voltage / Over Temperature
- Cooling by free air convection
- Can be installed on DIN rail TS-35/7.5 or 15
- UL 508 (industrial control equipment) approved
- EN61000-6-2(EN50082-2) industrial immunity level
- Built-in DC OK relay contract
- 100% full load burn-in test
- 3 years warranty



Specification

INPUT	Voltage	180V ~ 550VAC	254 ~ 780VDC		
	Frequency	47 ~ 63 Hz			
	Power Factor (Typ.)	PF≥0.84/400VAC	PF≥0.84/230VAC		
	Current	1A@400VAC	2A@230VAC		
	Inrush Current (Typ.)	Cold Start 50A			
	Leakage Current	>3.5mA@530VAC			
	MODEL No.	WDR-240-24	WDR-240-48		
OUTPUT	Voltage	24V	48V		
	Rated Current	10A	5A		
	Current Range	0 ~ 10A	0 ~ 5A		
	Rated Power	240W	240W		
	Ripple Noise MAX	150mVp-p	150mVp-p		
	Voltage Adj. Range	24 ~ 28V	48 ~ 55V		
	Voltage Tolerance	± 1.0%	± 1.0%		
	Line Regulation	± 0.5%	± 0.5%		
	Load Regulation	± 1.0%	± 1.0%		
	Setup Rise Time	800ms, 150ms / 400VAC	1500ms, 150ms / 230VAC at full load		
Hold Up Time	18ms / 400VAC	18ms/230VAC at full load			
PROTECTION	Overload	105 ~ 130% rated output power Constant current limiting, unit will shut down after 3 secs, auto-recovery after 1 minute if the fault condition is removed			
	Over Voltage	29~33V	56~65V		
	Over Temperature	90°C ±5°C (TSW) detect on heatsink of power switch Protection Type: Shut down o/p voltage, recovers automatically after temperature goes down			
FUNCTION	DC OK Relay contact ratings (max.) 60Vdc/0.3A, 30Vdc/1A, 30Vac/0.5A resistive load				
ENVIRONMENT	Working Temp.	-30~+70°C (Refer to derating Curve")			
	Working Humidity	20~95% RH non-condensing			
	Storage Temp., Humidity	-40~+85°C, 10~95%RH			
	Temp. Co-efficient	±0.03% / °C (0~50°C)			
SAFETY & EMC	Vibration	Component: 10~500Hz, 2G 10min./1cycle, 60 min. each along X, Y, Z axes; mounting: Compliance to IEC60068-2-6			
	Safety Standards	UL508 approved, IEC60950-1 CB approved by SIQ, design refer to GL; (meets EN60204-1)			
	Withstand Voltage	I/P-OP:3KVAC	I/P-FG:2KVAC	O/P-FG:0.5KVAC	O/P-DC OK:0.5KVAC
	Isolation Resistance	I/P-O/P, I/P-FG, O/P-FG:>100M Ohms / 500VDC / 25°C / 70%RH			
	EMC Emission	Compliance to EN55022 (CISPR22), EN61204-3 Class B, EN61000-3-2, -3			
OTHERS	EMC Immunity	Compliance to EN61000-4-2,3,4,5,6,8,11, EN55024, EN61000-6-2, (EN50082-2), EN61204-3, heavy industry level, criteria A approved			
	MTBF	141.1K hrs min. MIL-HDBK217F (25°C)			
	Packaging	1.06Kg; 12pcs/13.7Kg/1.06CUFT			

1. All parameters NOT specially mentioned are measured at 230VAC input, rated load and 25°C of ambient temperature.
2. Ripple and noise are measured at 20MHz of bandwidth by using a 12" twisted pair-wire terminated with a 0.1uf & 47uf parallel capacitor.
3. Tolerance: includes set up tolerance, line regulation and load regulation.
4. The power supply is considered a component which will be installed into a final equipment. The final equipment must be re-confirmed that it still meets EMC directives.
5. Installation clearances: 40mm on top, 20mm on the bottom, 5mm on the left and right side are recommended when loaded permanently with full power.
In case the adjacent device is a heat source, 15mm clearance is recommended.
6. Derating may be needed under low input voltage. Please check the derating curve for more details.

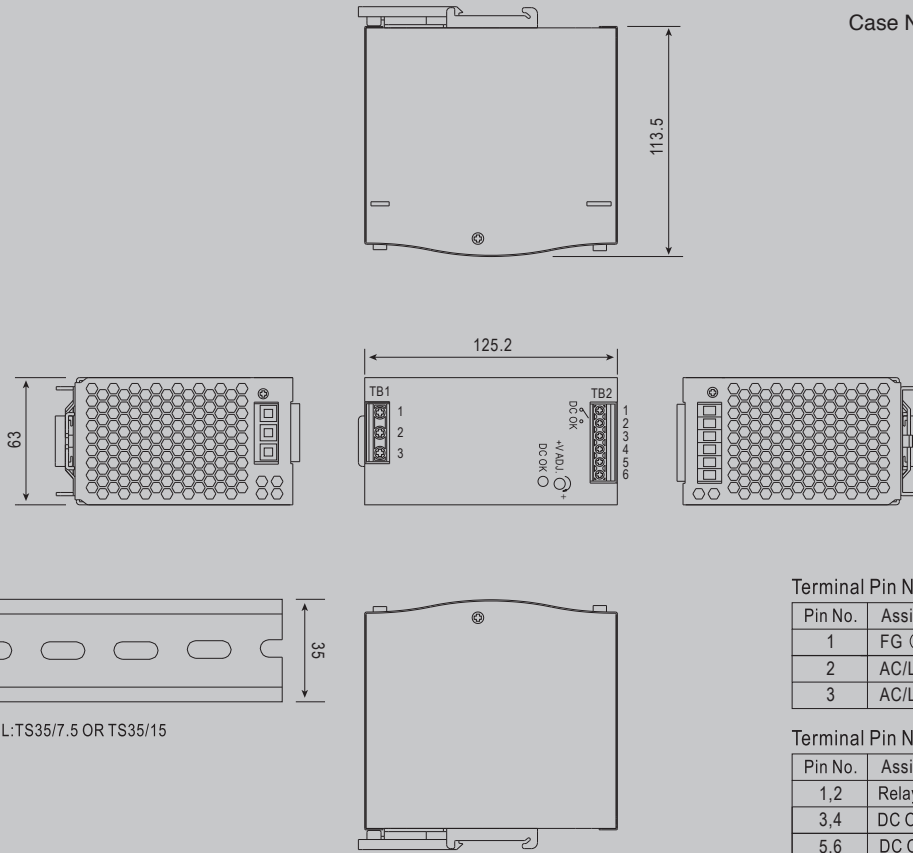
WDR-240 Series

240W Single Output Industrial DIN RAIL Power Supply



Mechanical Specification

Case NO. 979B Unit: mm



ADMISSIBLE DIN-RAIL: TS35/7.5 OR TS35/15

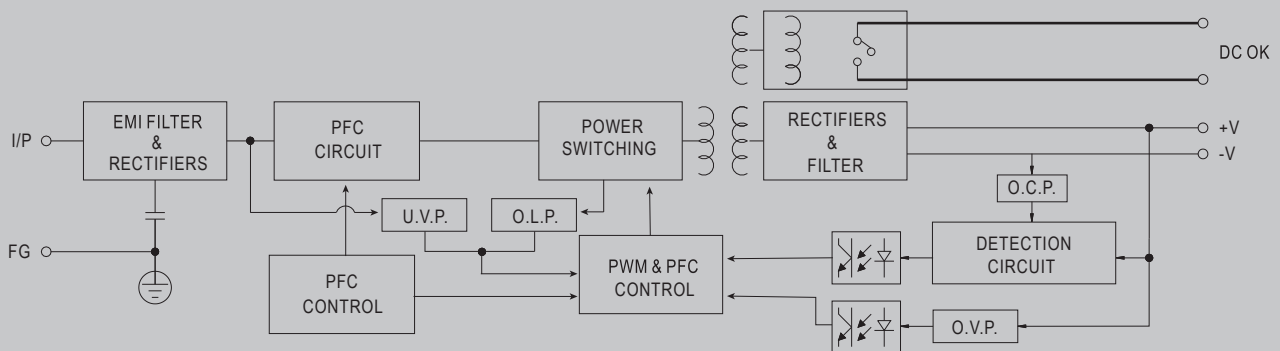
Terminal Pin No. Assignment (TB1)

Pin No.	Assignment
1	FG ⊕
2	AC/L2
3	AC/L1

Terminal Pin No. Assignment (TB2)

Pin No.	Assignment
1,2	Relay Contact
3,4	DC OUTPUT +V
5,6	DC OUTPUT -V

Block Diagram



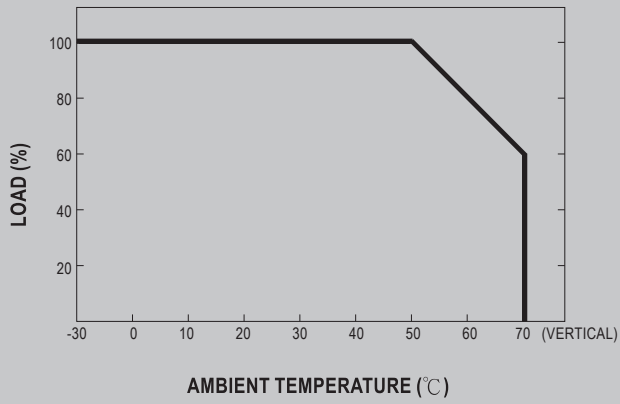
Contact Close	PSU turns on / DC OK.
Contact Open	PSU turns off / DC Fail.
Contact Ratings (max.)	30V/1A resistive load.

WDR-240 Series

240W Single Output Industrial DIN RAIL Power Supply



Derating Curve



Static Characteristics

